



Intermec



Spare Parts Catalog

**EasyCoder F2, F4,
and F4 Compact
Industrial Printers**

Information in this manual is subject to change without prior notice and does not represent a commitment on the part of Intermec Printer AB.

© Copyright Intermec Printer AB, 2002. All rights reserved. Published in Sweden.

EasyCoder, is a registered trademarks of Intermec Technologies Corp. The word Intermec, the Intermec logo, Inter-Driver, and PrintSet are trademarks of Intermec Technologies Corp.

Introduction

Contents

1. Introduction	Contents.....	1
	Spare Parts Policy.....	2
	EasyCoder F2, General View.....	3
	EasyCoder F4, General View.....	4
	EasyCoder F4 Compact Industrial, General View.....	5
2. Spare Parts	Keyboards and Cover (All models).....	6
	Chassis (All models)	7
	Print Mechanism (F2)	8
	Print Mechanism (F4 & F4 CI)	11
	Label Stop Sensor (All models)	15
	Ribbon Supply Unit (F2, option)	16
	Ribbon Supply Unit (F4 & F4 CI, option).....	17
	Ribbon Rewind Unit (F2, option).....	18
	Ribbon Rewind Unit (F4 & F4 CI, option)	19
	Ribbon Motor (All models)	20
	Side Doors (F2)	21
	Side Doors (F4)	22
	Side Doors (F4 CI).....	24
	Front Door (F4 CI)	26
	Quick-Load Guides (All models)	27
	Media Supply Roll Post (F2 & F4)	28
	Media Supply Roll Post (F4 CI).....	29
	Media Supply Hub (F2, F4 & F4 CI option)	30
	3-inch Adapter (All models, option)	31
	Liner Takeup Unit (F2, option)	32
	Liner Takeup Unit (F4 & F4 CI, option).....	33
	Paper Cutter (F4 & F4 CI, option).....	34
	CPU Board (All models).....	35
	Power Supply Unit (All models)	36
	Double Serial Interface Board (All models, option).....	37
	Serial/Industrial Interface Board (All models, option)	38
	IEEE 1284 Parallel Interface Board (All models, option)	39
	EasyLAN 100i Interface Board (All models, option)	40
	Label Taken Sensor Kit (All models, option)	41
	Miscellaneous (cables, cleaning card, etc.)	42

Spare Parts Policy

This Spare Parts Catalog contains information on items presently available as spare parts and accessories for the Intermec EasyCoder F2, F4, and F4 Compact Industrial printers.

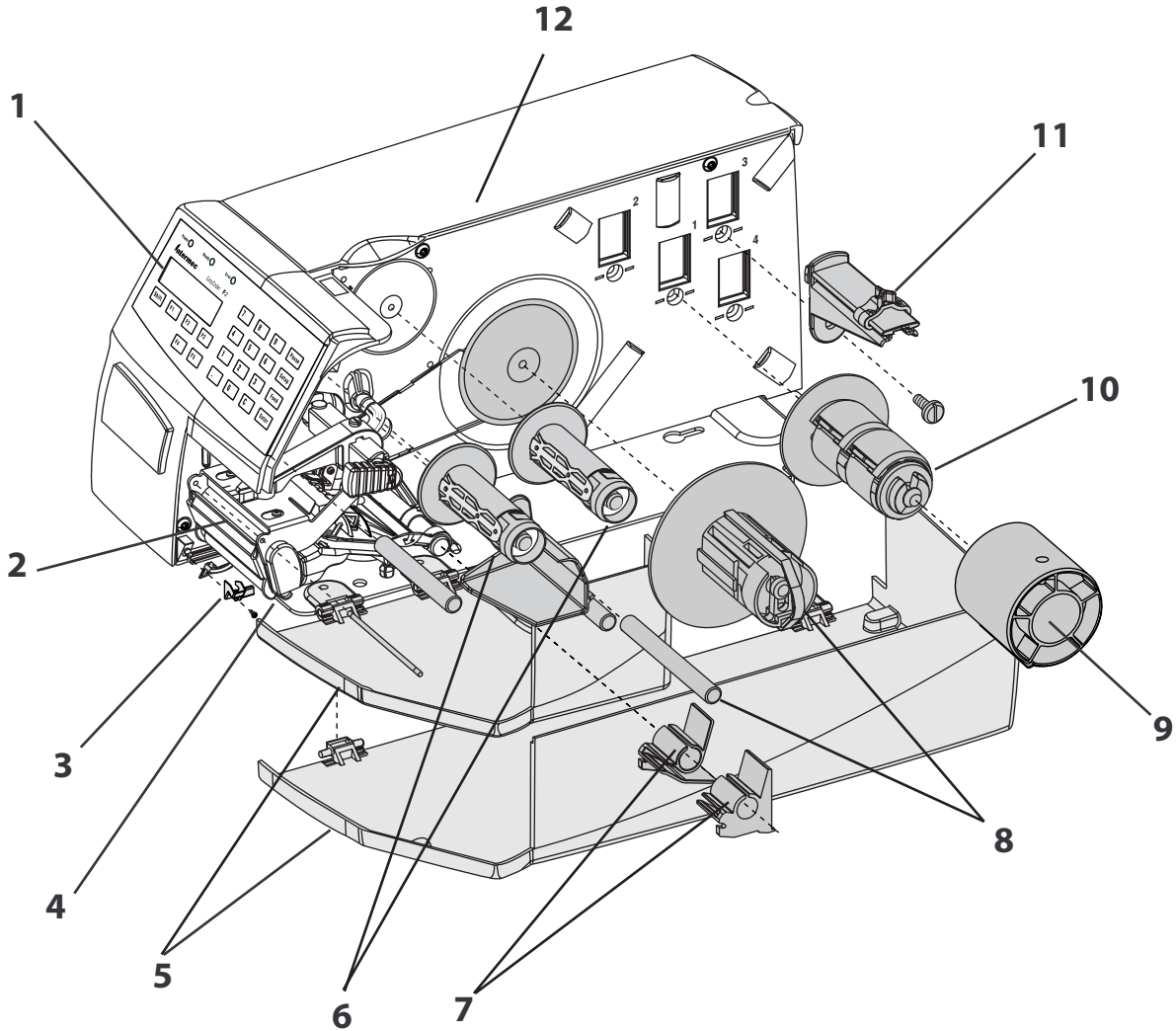
You will notice that, as a rule, we supply only assembled spare parts. Our policy is based on the conviction that this is a more rational way of stocking spares and supplying adequate service as well.

For further information about parts not listed in this volume, please contact our Spare Parts Sales Department.

Information in this manual is subject to change without prior notice and does not represent a commitment on the part of Intermec.

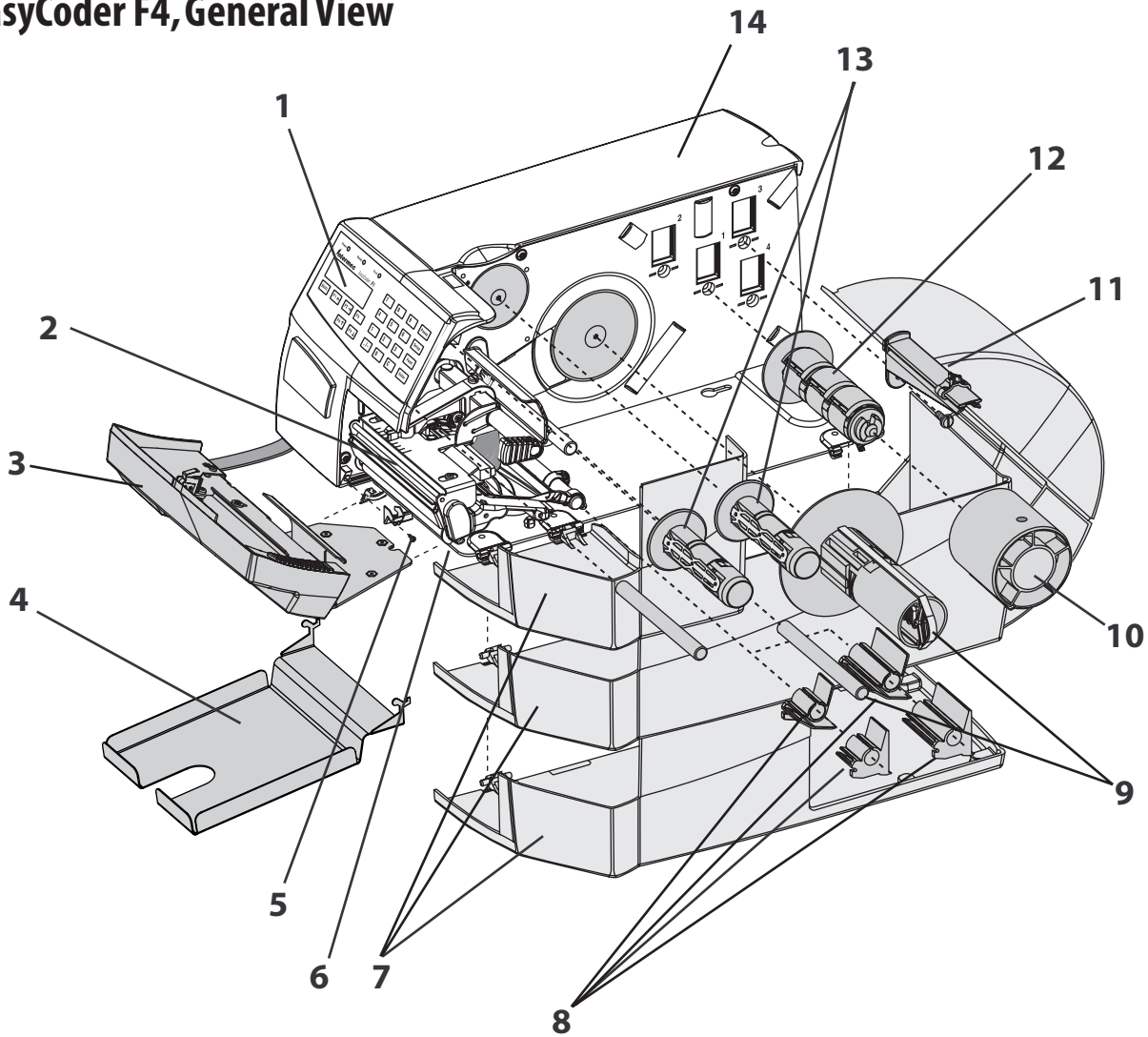
**For updated information,
please refer to the latest edition
of the Spare Parts Price List.**

EasyCoder F2, General View



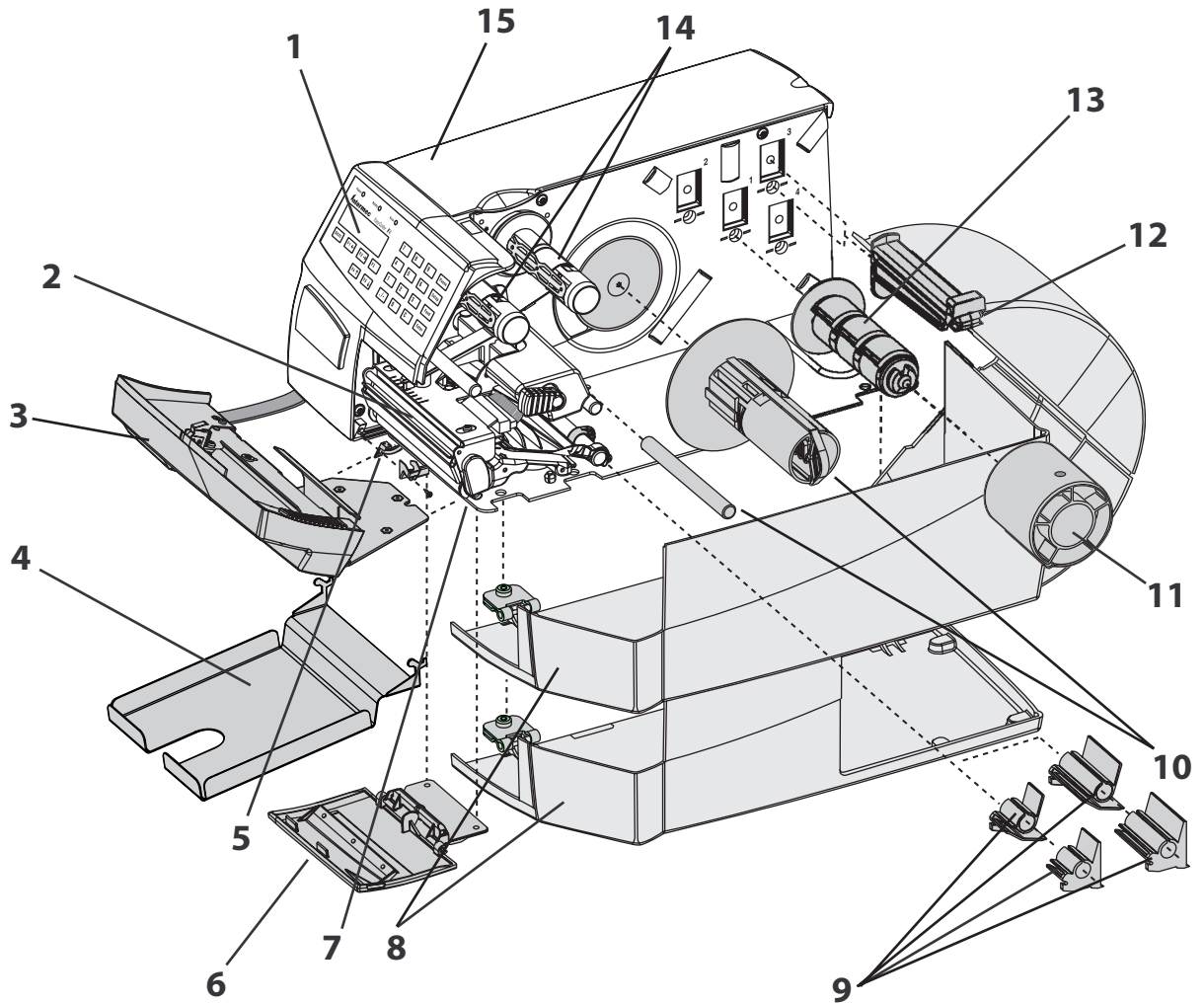
Pos.	Description	Remarks
1	Keyboard	See page 6
2	Print Mechanism	See pages 8–10
3	Label Taken Sensor (option)	See page 41
4	Chassis	See page 7
5	Doors (2 different types)	See page 21
6	Transfer Ribbon Mechanism (option)	See pages 16, 18, 20
7	Quick-Load Guides	See page 27
8	Liner Takeup Unit (option)	See page 32
9	3-inch Adapter (option)	See page 31
10	Media Supply Hub (option)	See page 30
11	Media Supply Roll Post	See page 28
12	Cover	See page 6
–	CPU-Board	See page 35
–	Power Supply Unit	See page 36
–	Other Options and Accessories	See pages 37–40, 42

EasyCoder F4, General View



Pos.	Description	Remarks
1	Keyboard	See page 6
2	Print Mechanism	See pages 11, 13–14
3	Paper Cutter (option)	See page 34
4	Paper Cutter Tray (option)	See page 34
5	Label Taken Sensor (option)	See page 41
6	Chassis	See page 7
7	Doors (3 different types)	See pages 24-25
8	Quick-Load Guides	See page 27
9	Liner Takeup Unit (option)	See page 33
10	3-inch Adapter (option)	See page 31
11	Media Supply Roll Post	See page 28
12	Media Supply Hub (option)	See page 30
13	Transfer Ribbon Mechanism	See pages 17, 19, 20
14	Cover	See page 6
–	CPU-Board	See page 35
–	Power Supply Unit	See page 36
–	Other Options and Accessories	See pages 37–40, 42

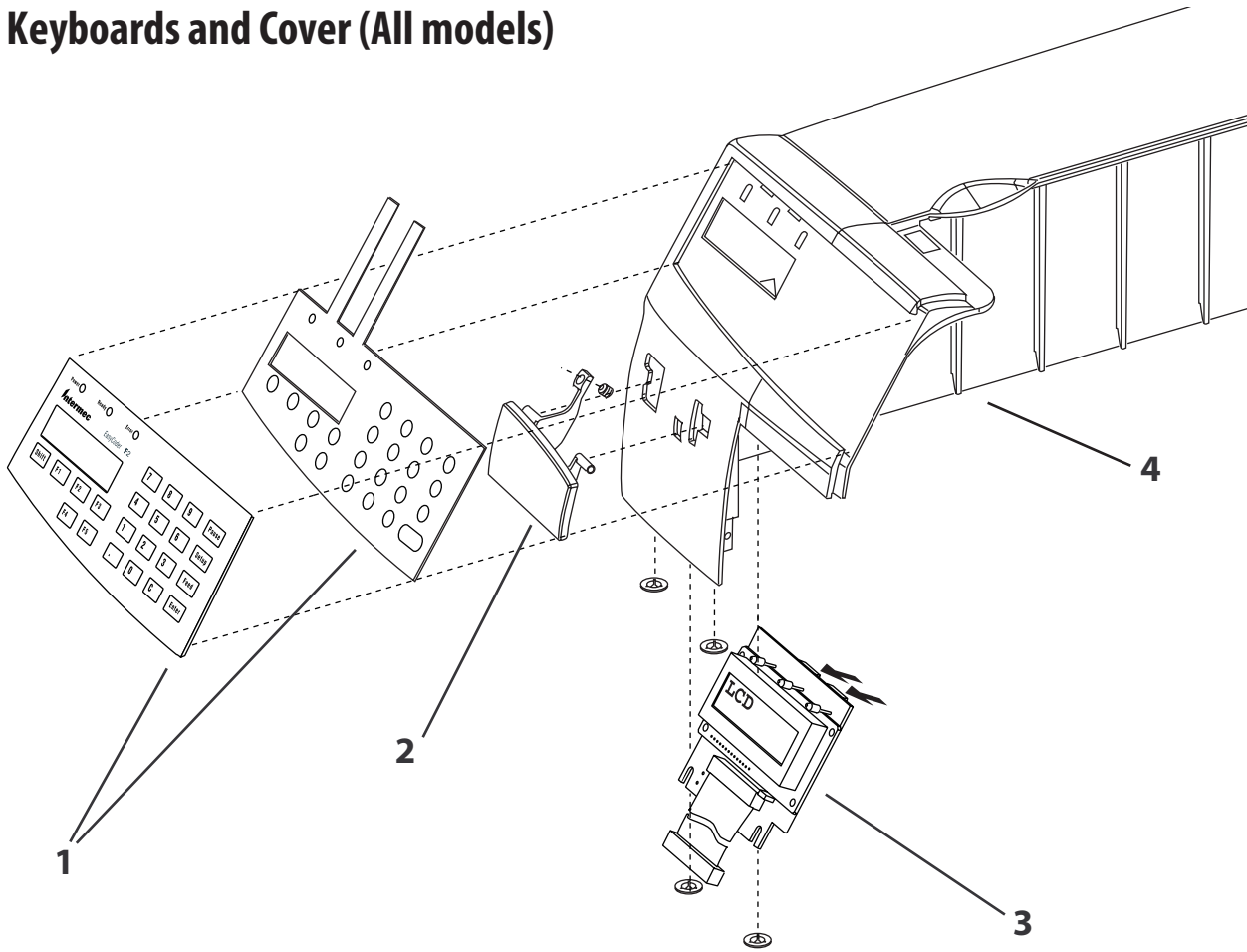
EasyCoder F4 Compact Industrial, General View



Pos.	Description	Remarks
1	Keyboard	See page 5
2	Print Mechanism	See pages 12-14
3	Paper Cutter (option)	See page 34
4	Paper Cutter Tray (option)	See page 34
5	Label Taken Sensor (option)	See page 41
6	Front Door	See page 26
7	Chassis	See page 7
8	Doors (2 different types)	See pages 24-25
9	Quick-Load Guides	See page 27
10	Liner Takeup Unit (option)	See page 33
11	3-inch Adapter (option)	See page 31
12	Media Supply Roll Post	See page 29
13	Media Supply Hub (option)	See page 30
14	Transfer Ribbon Mechanism	See pages 17, 19, 20
15	Cover	See page 6
-	CPU-Board	See page 35
-	Power Supply Unit	See page 36
-	Other Options and Accessories	See pages 37-40, 42

Spare Parts

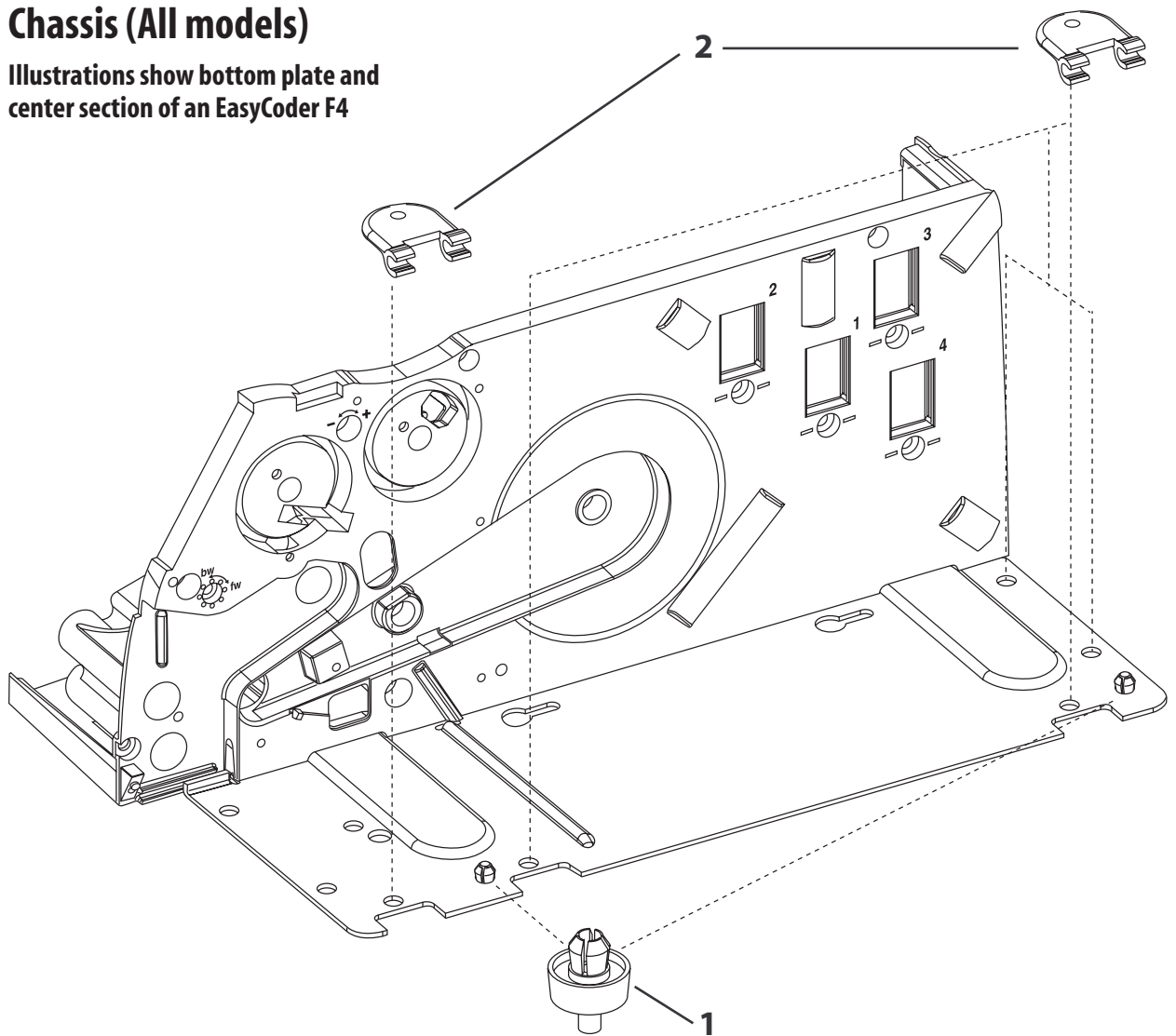
Keyboards and Cover (All models)



Pos.	Part No.	Description	Remarks
1	1-206222-90	Keyboard F2 assy.	Excl. console pcb.
1	1-206222-95	Keyboard F4 assy. (also for F4 Compact Industrial)	Excl. console pcb.
2	1-206223-90	Print Button assy. (dark gray for F2 and F4)	Incl. 2 locking washers
2	1-206223-95	Print Button assy. (blue gray for F4 Compact Industrial)	Incl. 2 locking washers
3	1-971609-90	Console pcb. assy.	Incl. cable and 2 locking washers
4	1-206113-01	Cover assy. (light gray for F2 and F4)	
4	1-206113-10	Cover assy. (metallic gray for F4 Compact Industrial)	

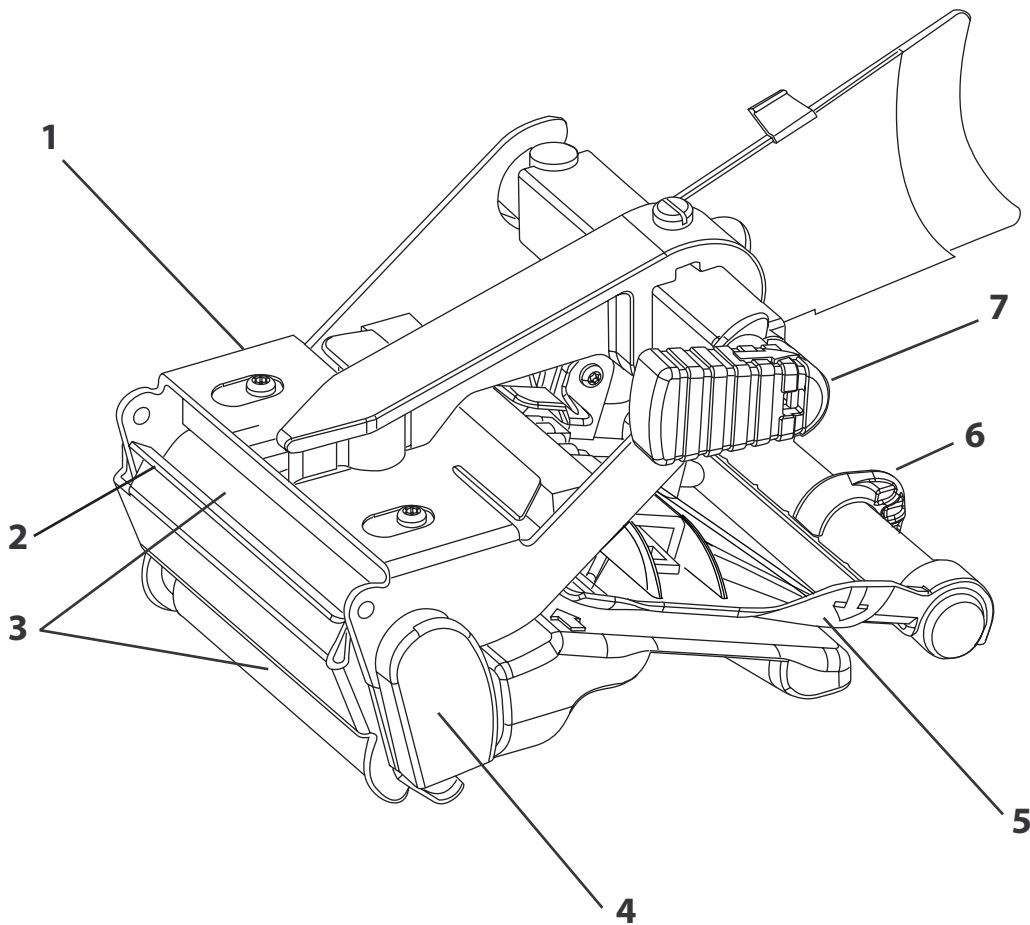
Chassis (All models)

Illustrations show bottom plate and center section of an EasyCoder F4



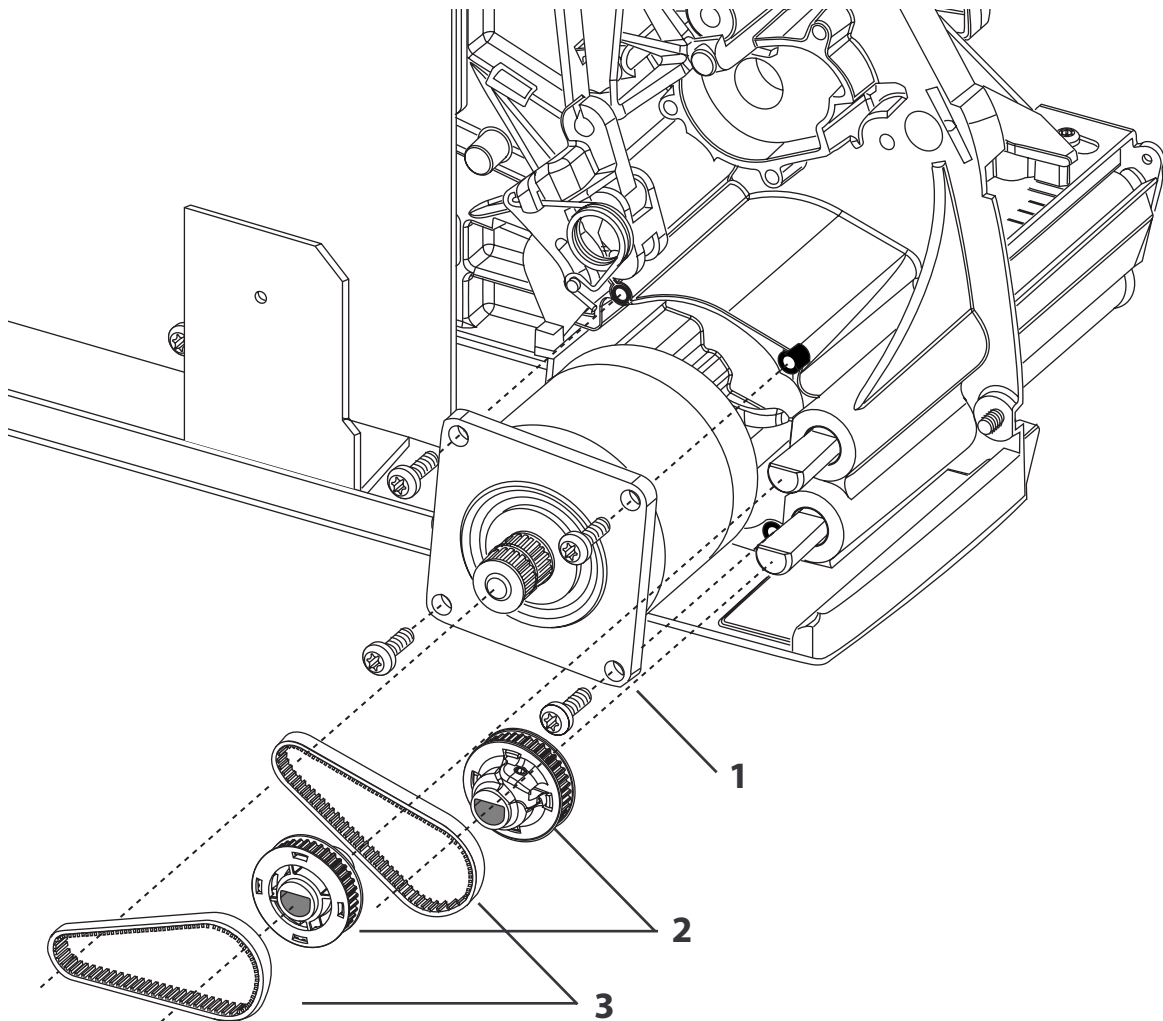
Pos.	Part No.	Description	Remarks
1	1-992328-90	Rubber Foot (4 pcs in each printer)	12-pack
2	1-206256-91	Hinge incl. grounding foil (F2 and F4 only)	10-pack
		Hinges for EasyCoder F4 Compact Industrial, see page 24	

Print Mechanism F2 (Media Compartment Side)



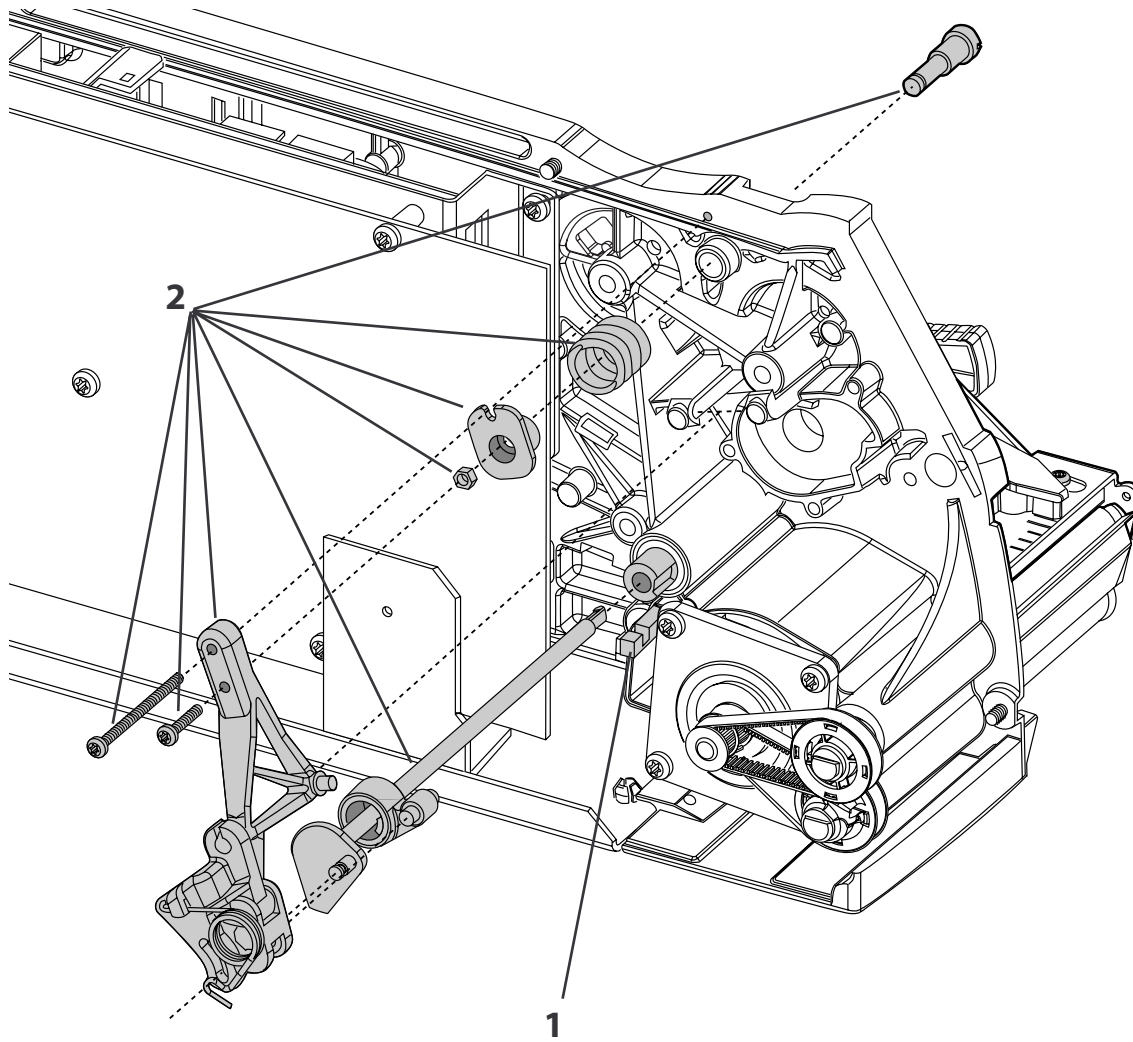
Pos.	Part No.	Description	Remarks
1	1-010102-90	Thermal Printhead assy. (8 dots/mm)	Incl. bracket and printhead ribbon break shaft
2	1-206206-02	Tear Bar	
3	1-206203-90	Platen Roller/Liner Drive Roller	Incl bearing
4	1-206248-01	Guide Link	
5	1-206252-02	Paper Guide (upper)	
6	1-206284-01	Edge Guide	
7	1-206273-90	Cam Handle	
–	1-206114-90	Paper Guide assy.	Paper Guide (upper) + LSS assy + Guide Cover
–	1-975559-02	Label Stop Sensor assy.	Refer to page 13.

Print Mechanism F2 (Electronics Compartment Side 1)



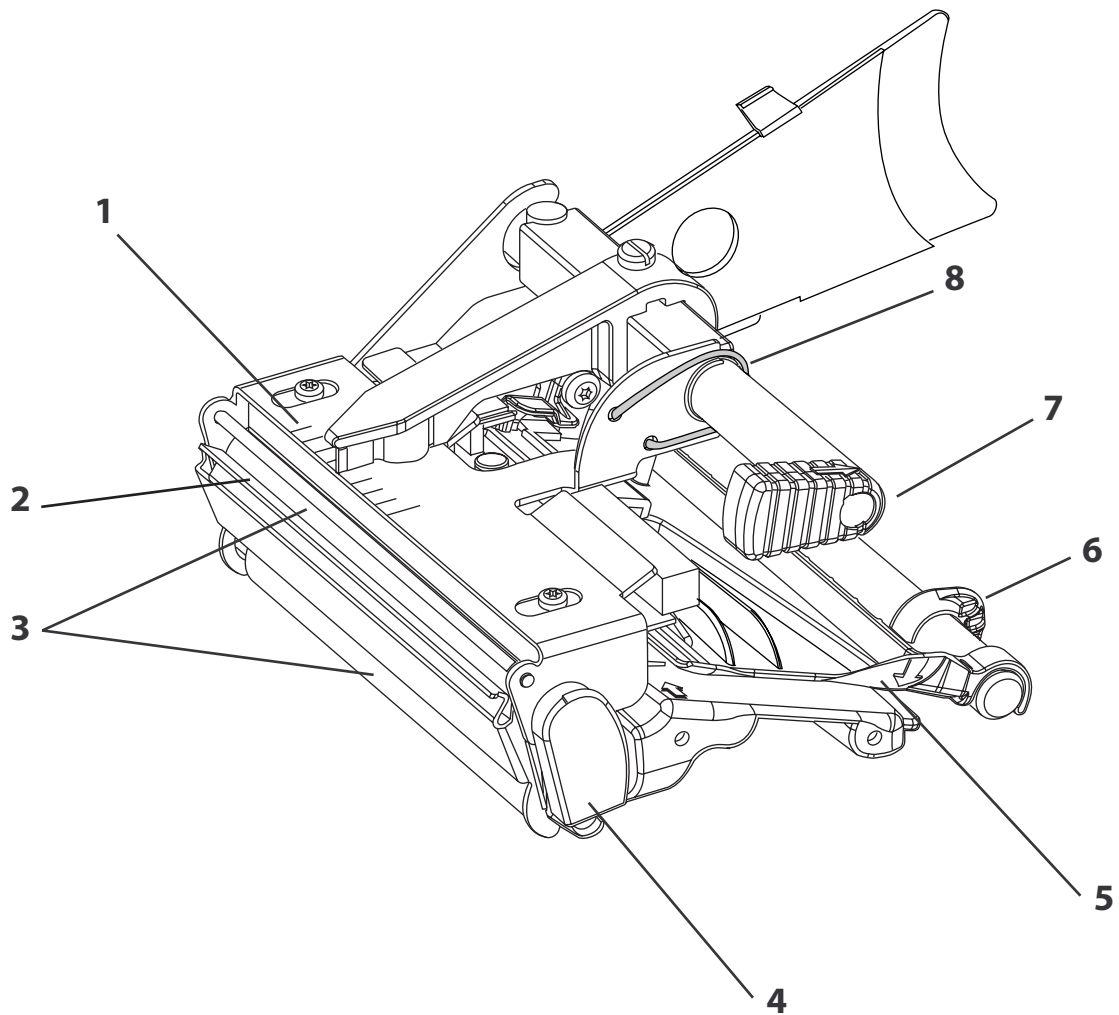
Pos.	Part No.	Description	Remarks
1	1-206959-00	Stepper Motor assy.	Incl. pulleys
2	1-206100-01	Pulley	
3	1-995103-01	Belt	

Print Mechanism F2 (Electronics Compartment Side 2)



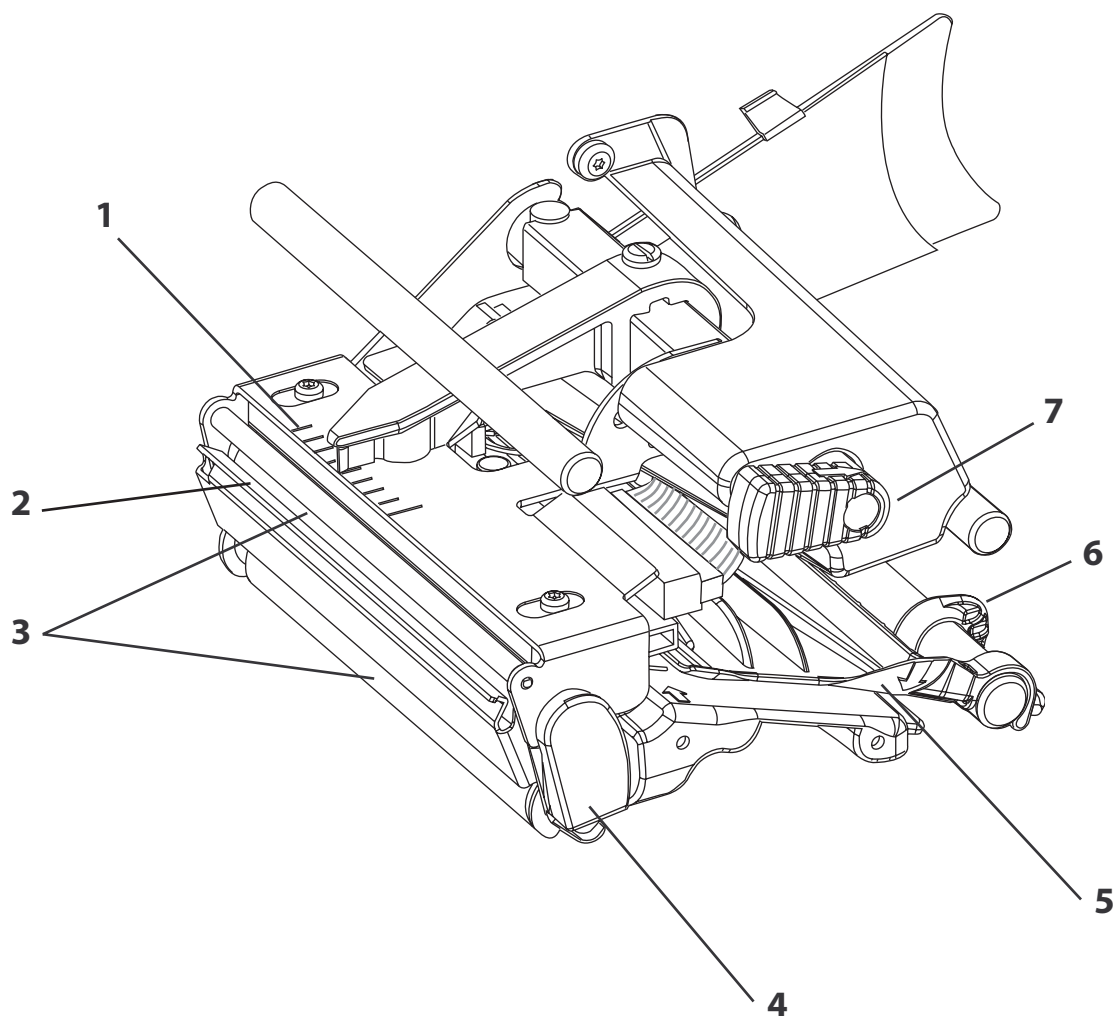
Pos.	Part No.	Description	Remarks
1	1-975560-01	Headlift Sensor	
2	1-206106-90	Headlift Linkage assy	

Print Mechanism F4 (Media Compartment Side)



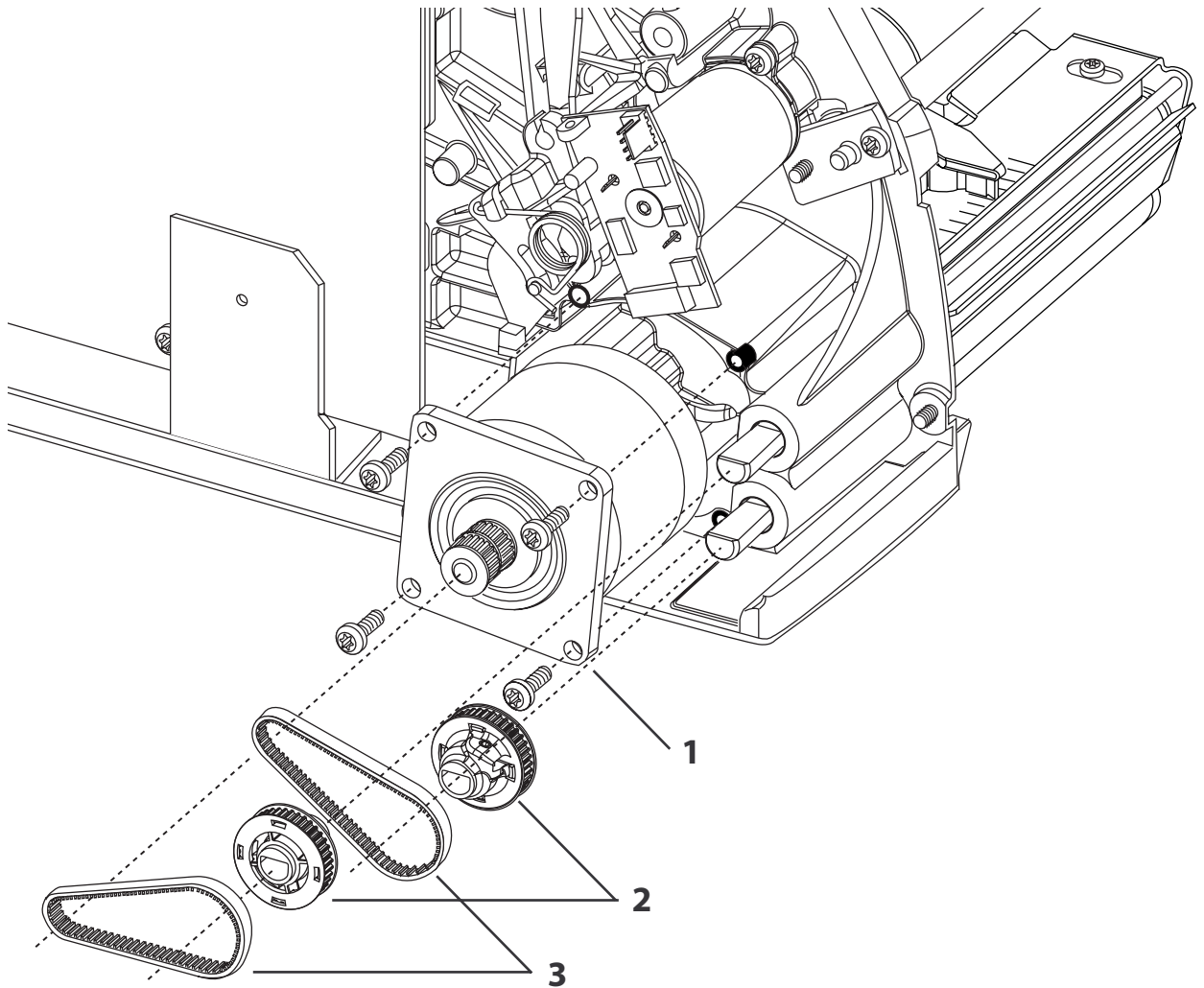
Pos.	Part No.	Description	Remarks
1	1-010103-90	Thermal Printhead assy. (8 dots/mm)	Media thickness max 175µm
1	1-010103-95	Thermal Printhead assy. (8 dots/mm)	Media thickness 170–220µm
1	1-010104-90	Thermal Printhead assy. (8 dots/mm) 3 mm offset	Media thickness max 175µm
1	1-010104-95	Thermal Printhead assy. (8 dots/mm) 3 mm offset	Media thickness 170–220µm
2	1-206278-04	Tear Bar	
3	1-206203-95	Platen Roller/Liner Drive Roller	Incl bearing
4	1-206248-01	Guide Link	
5	1-206275-02	Paper Guide (upper)	
6	1-206284-01	Edge Guide	
7	1-206301-90	Cam Handle	
8	1-206423-90	Spring TPH kit (option)	
–	1-206118-90	Paper Guide assy.	Incl. installation instructions Paper Guide (upper) + LSS assy + Guide Cover Refer to page 15.
–	1-975559-02	Label Stop Sensor assy.	

Print Mechanism F4 Compact Industrial (Media Compartment Side)



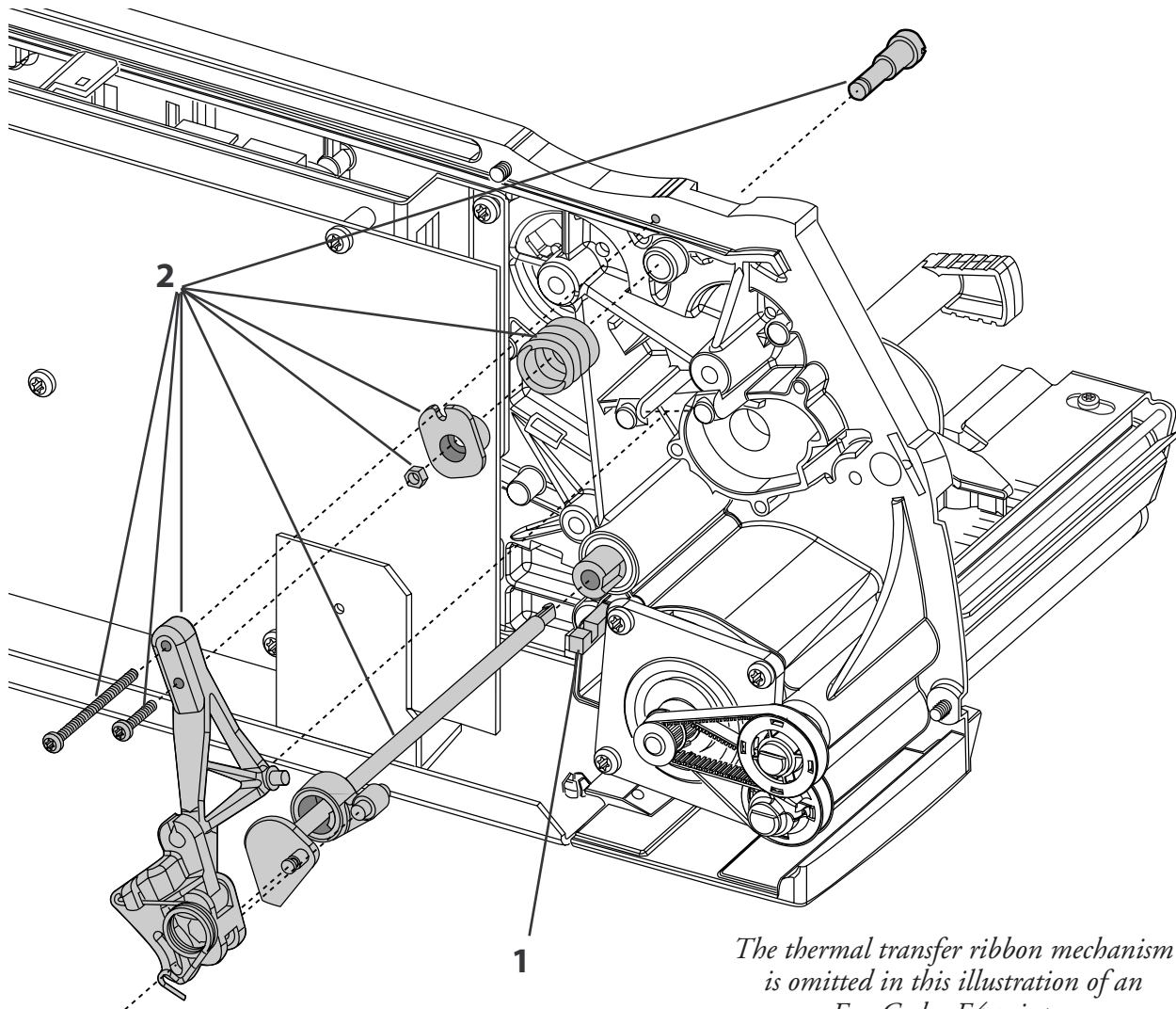
Pos.	Part No.	Description	Remarks
1	1-010103-90	Thermal Printhead assy. (8 dots/mm)	Media thickness max 175µm
1	1-010103-95	Thermal Printhead assy. (8 dots/mm)	Media thickness 170–220µm
1	1-010104-90	Thermal Printhead assy. (8 dots/mm) 3 mm offset	Media thickness max 175µm
1	1-010104-95	Thermal Printhead assy. (8 dots/mm) 3 mm offset	Media thickness 170–220µm
2	1-206278-04	Tear Bar	
3	1-206203-95	Platen Roller/Liner Drive Roller	Incl bearing
4	1-206248-01	Guide Link	
5	1-206275-02	Paper Guide (upper)	
6	1-206284-01	Edge Guide	
7	1-206301-90	Cam Handle	
–	1-206118-90	Paper Guide assy.	Paper Guide (upper) + LSS assy + Guide Cover
–	1-975559-02	Label Stop Sensor assy.	Refer to page 15.

Print Mechanism F4 & F4 CI (Electronics Compartment Side 1)



Pos.	Part No.	Description	Remarks
1	1-206959-00	Stepper Motor assy.	Incl. pulleys
2	1-206100-01	Pulley	
3	1-995103-01	Belt	

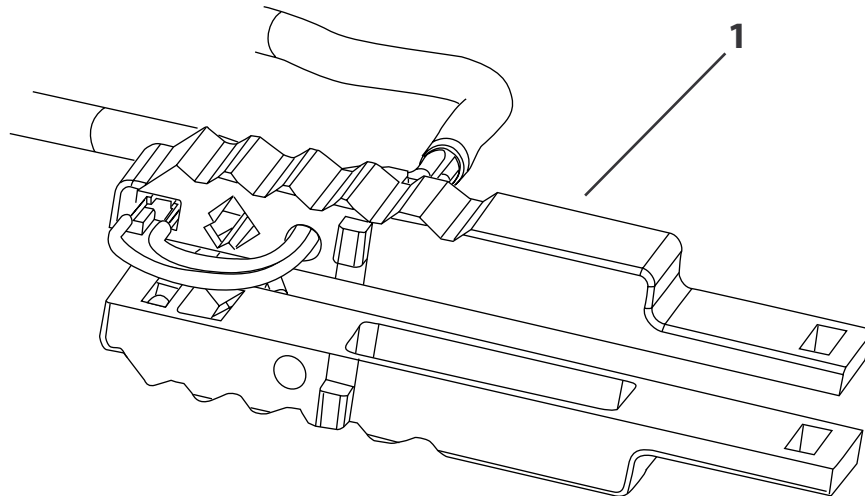
Print Mechanism F4 & F4 CI (Electronics Compartment Side 2)



The thermal transfer ribbon mechanism is omitted in this illustration of an EasyCoder F4 printer.

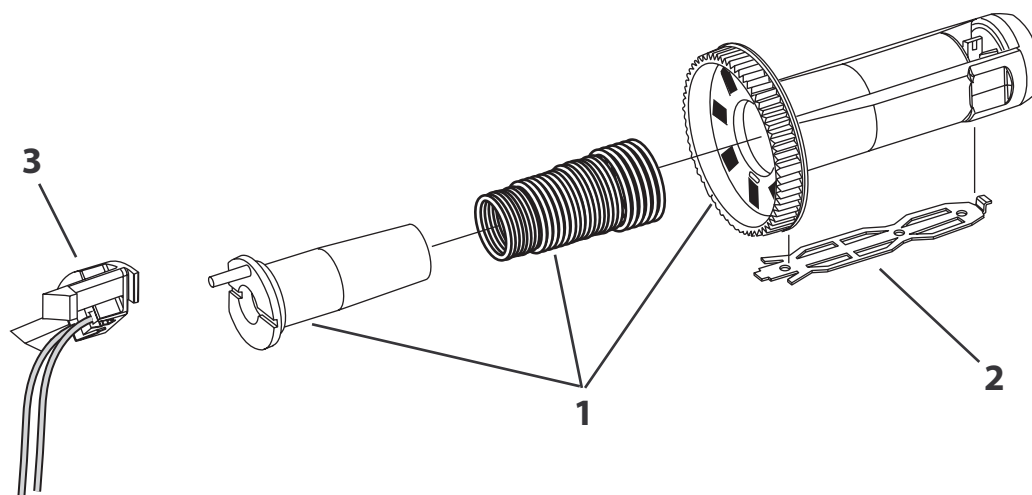
Pos.	Part No.	Description	Remarks
1	1-975560-01	Headlift Sensor	
2	1-206106-90	Headlift Linkage assy	

Label Stop Sensor (All models)



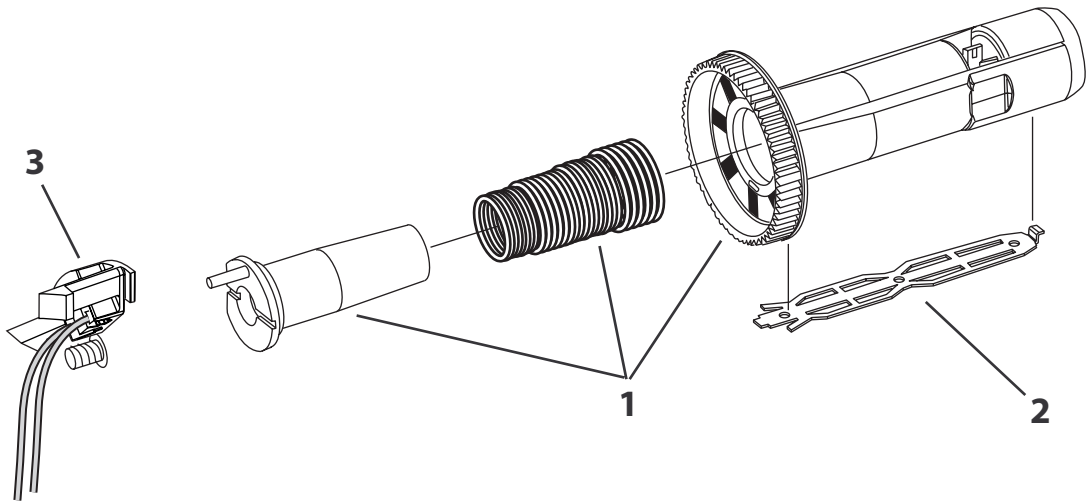
Pos.	Part No.	Description	Remarks
1	1-975559-02	Label Stop Sensor assy.	Incl. cable

Ribbon Supply Unit (F2, option)



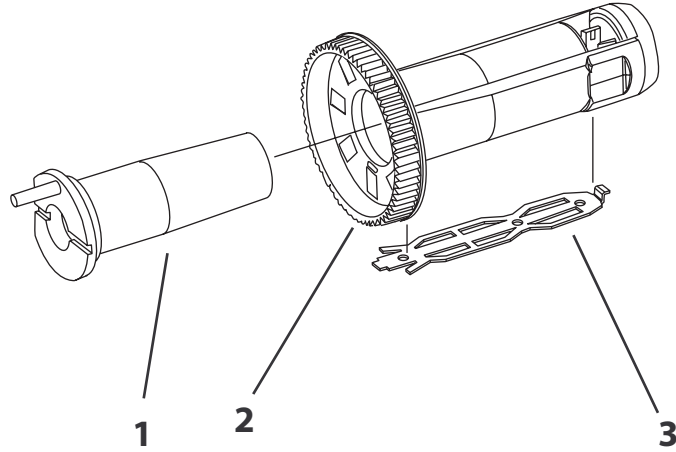
Pos.	Part No.	Description	Remarks
1	1-206146-01	Ribbon Supply Unit assy.	Bobbin, hub with code disc, and spring clutch.
2	1-206370-01	Bobbin Plate	
3	1-975561-04	Ribbon Sensor assy.	Incl. cable

Ribbon Supply Unit (F4 & F4 Compact Industrial)



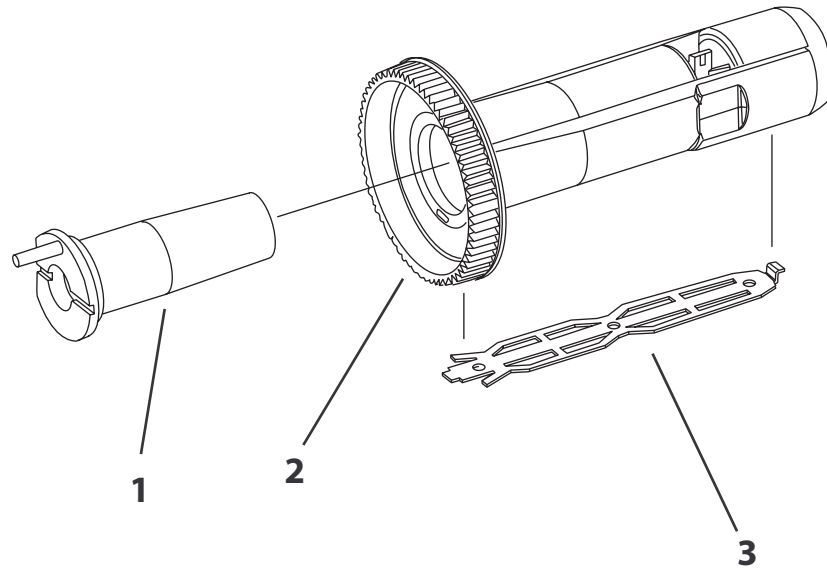
Pos.	Part No.	Description	Remarks
1	1-206112-02	Ribbon Supply Unit assy.	Bobbin, hub with code disc, and spring clutch.
2	1-206266-01	Bobbin Plate	
3	1-975561-04	Ribbon Sensor assy.	Incl. cable

Ribbon Rewind Unit (F2, option)



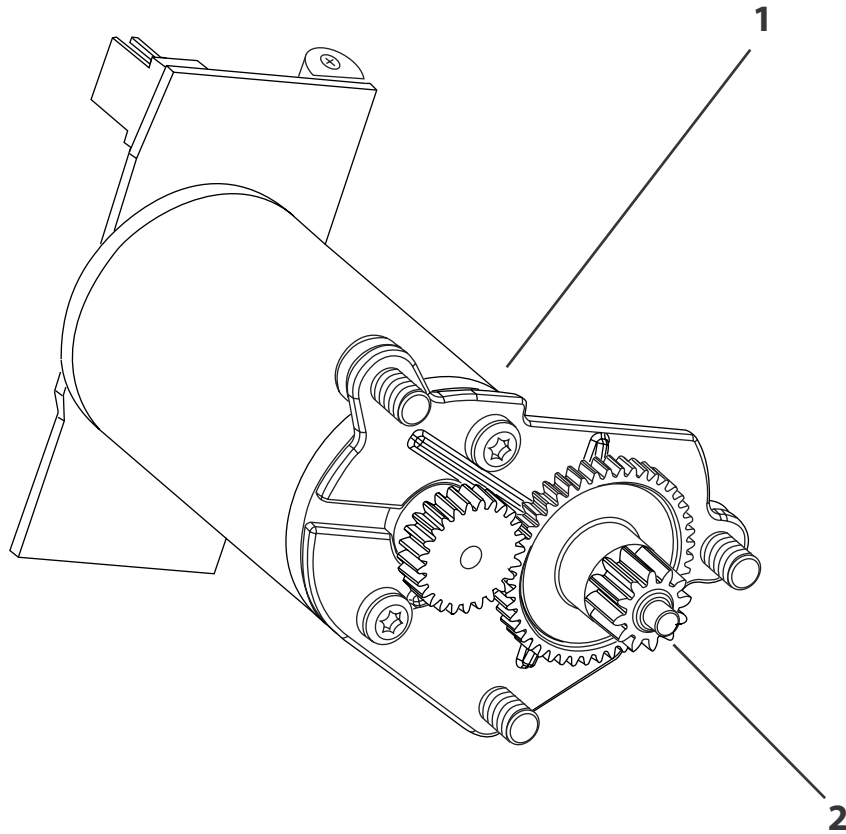
Pos.	Part No.	Description	Remarks
1	1-206271-00	Hub	
2	1-206145-01	Bobbin	
3	1-206370-01	Bobbin Plate	

Ribbon Rewind Unit (F4 & F4 Compact Industrial)



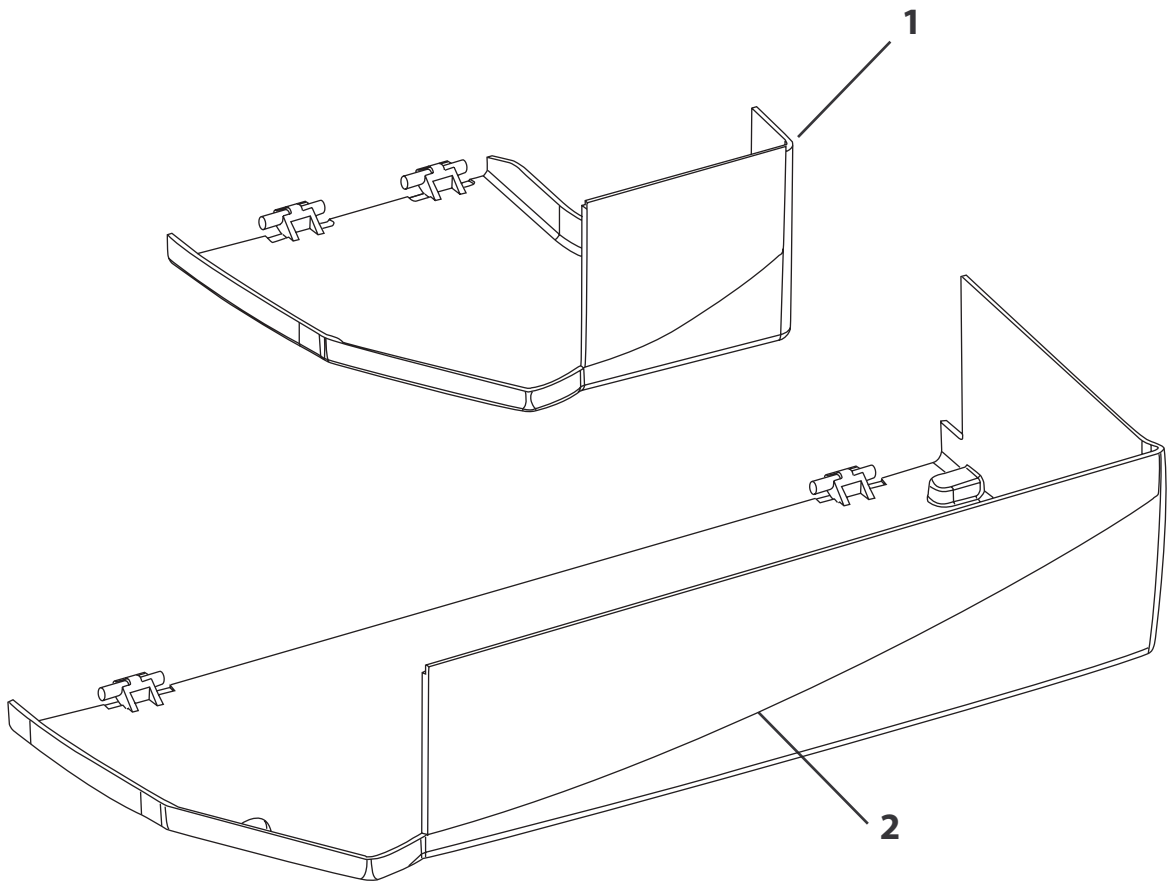
Pos.	Part No.	Description	Remarks
1	1-206271-00	Hub	
2	1-206111-02	Bobbin	
3	1-206266-01	Bobbin Plate	

Ribbon Motor (All models)



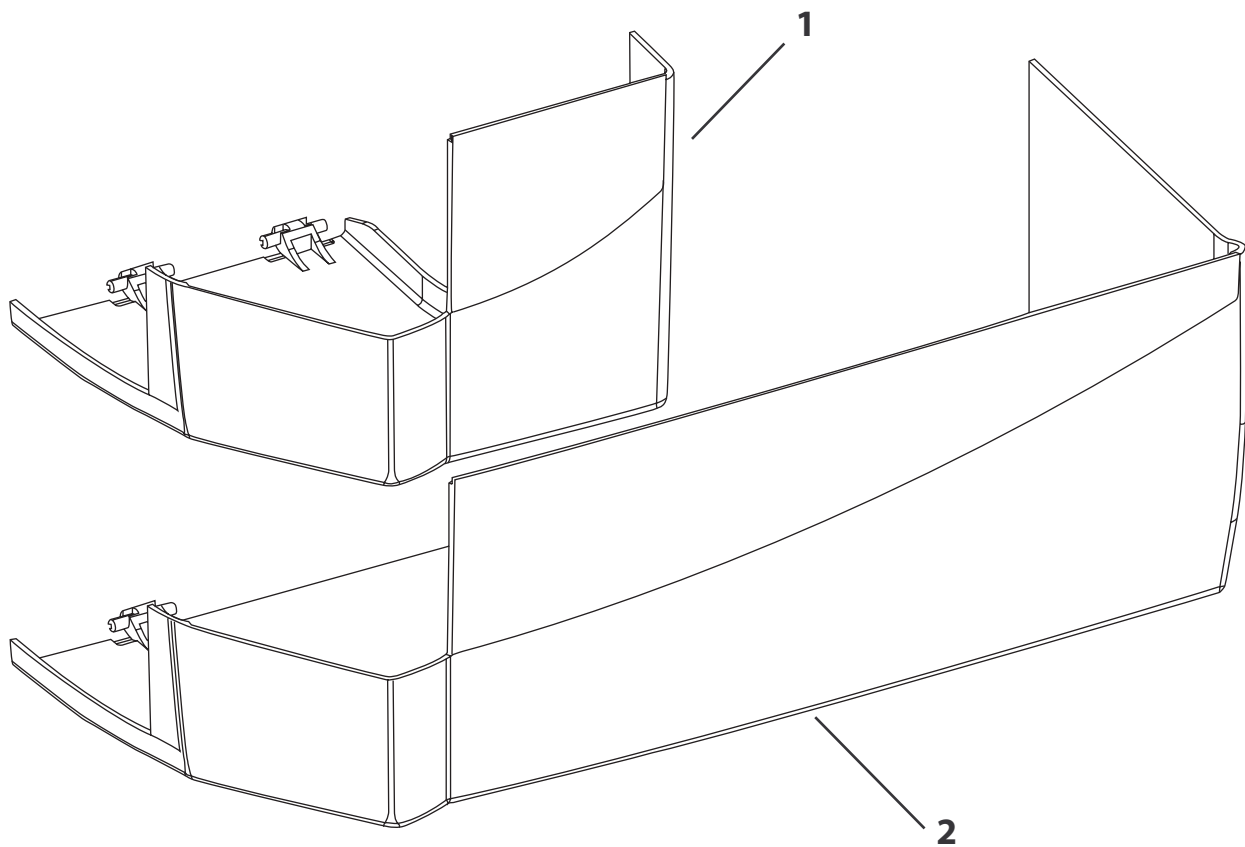
Pos.	Part No.	Description	Remarks
1	1-206129-90	Ribbon Motor assy	Incl. circuit board, gear wheel and cable No gear wheel included
2	1-206332-00	Gear Wheel	

Side Doors (F2)



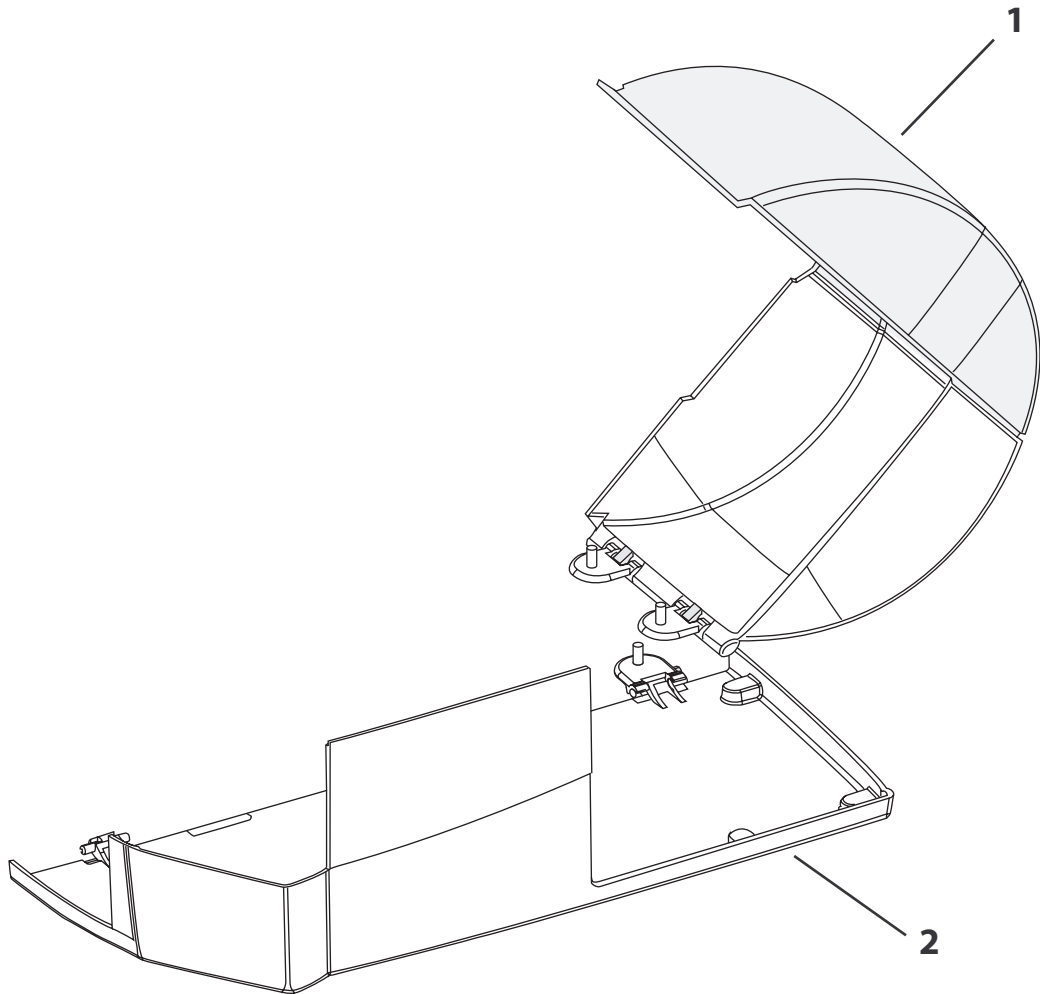
Pos.	Part No.	Description	Remarks
1	1-206564-90	Door, Short (light gray)	No hinges included
2	1-206560-90	Door, Long (light gray)	1 hinge included

Side Doors (F4)



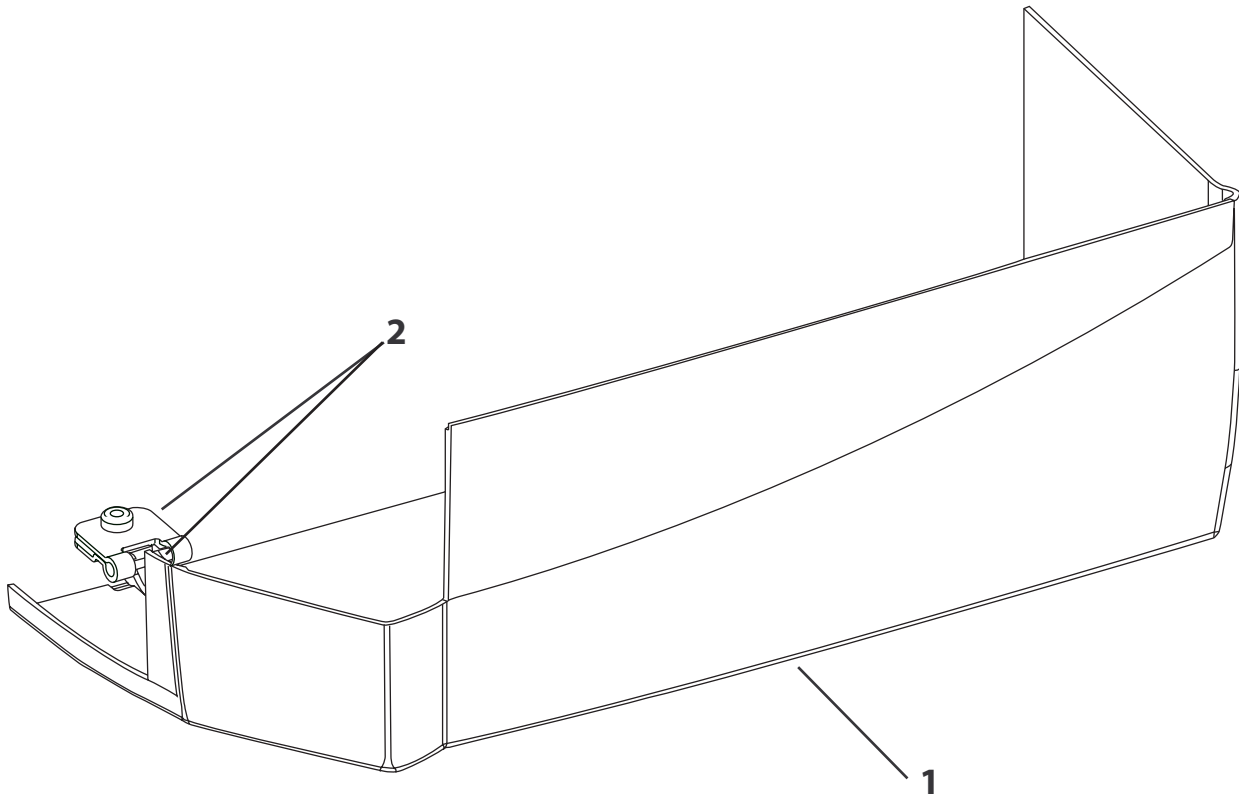
Pos.	Part No.	Description	Remarks
1	1-206566-90	Door, Short (light gray)	No hinges included
2	1-206565-90	Door, Long (light gray)	1 hinge included

Side Doors (F4), cont.



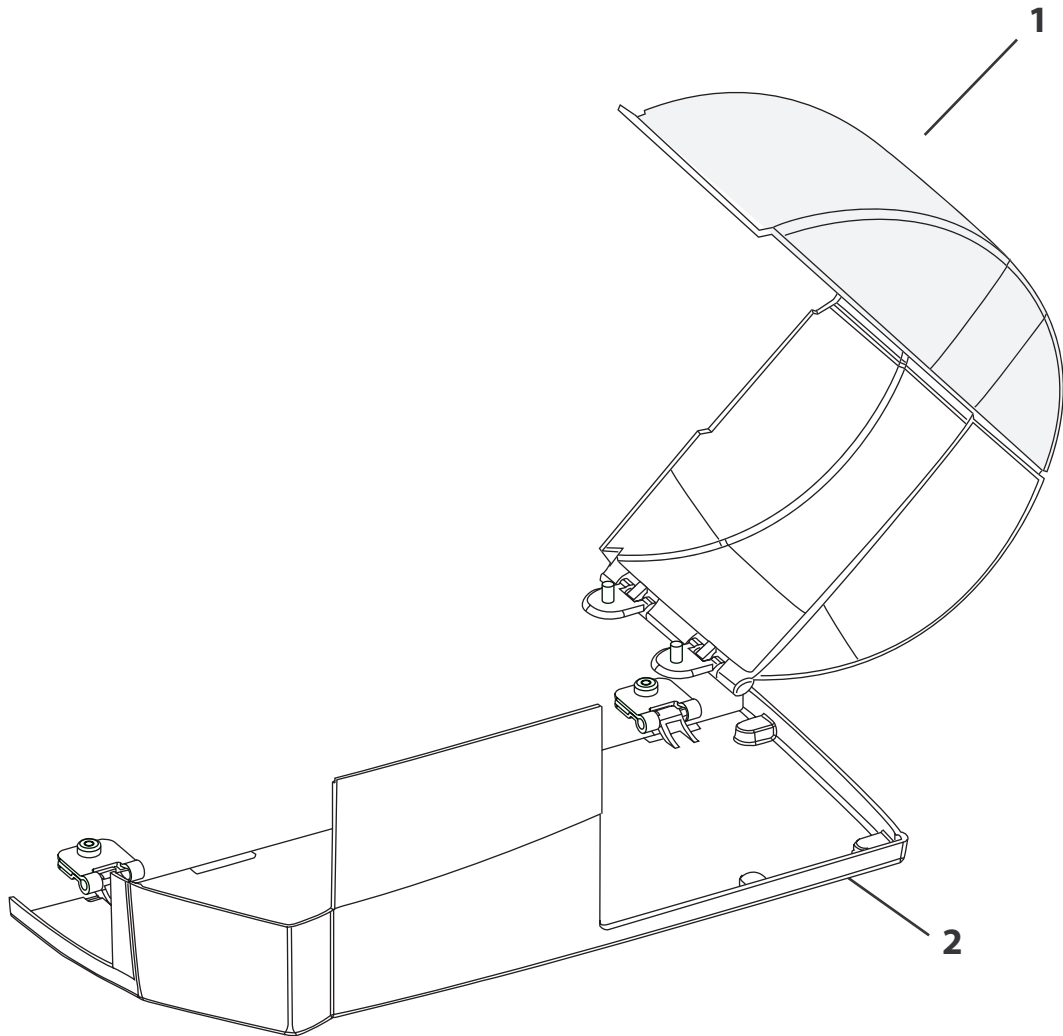
Pos.	Part No.	Description	Remarks
1 + 2	1-206580-90	Megatop assy. for 8-inch media roll (light gray)	Option. Complete unit incl 3 hinges.
1	1-206133-90	8-inch Roll Cover (transparent/light gray)	2 hinges included
2	1-206335-90	Side door for 8-inch Roll Cover (light gray)	No hinges included

Side Doors (F4 Compact Industrial)



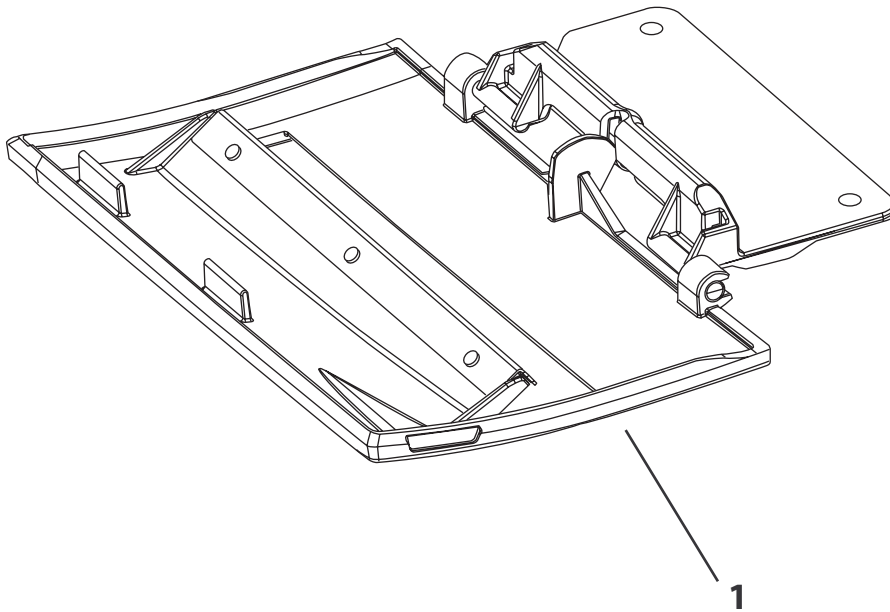
Pos.	Part No.	Description	Remarks
1	1-206102-90	Door, Long (dark metal)	2 hinges included 10-pack
2	1-206171-90	Hinge and shaft	

Side Doors (F4 Compact Industrial), cont.



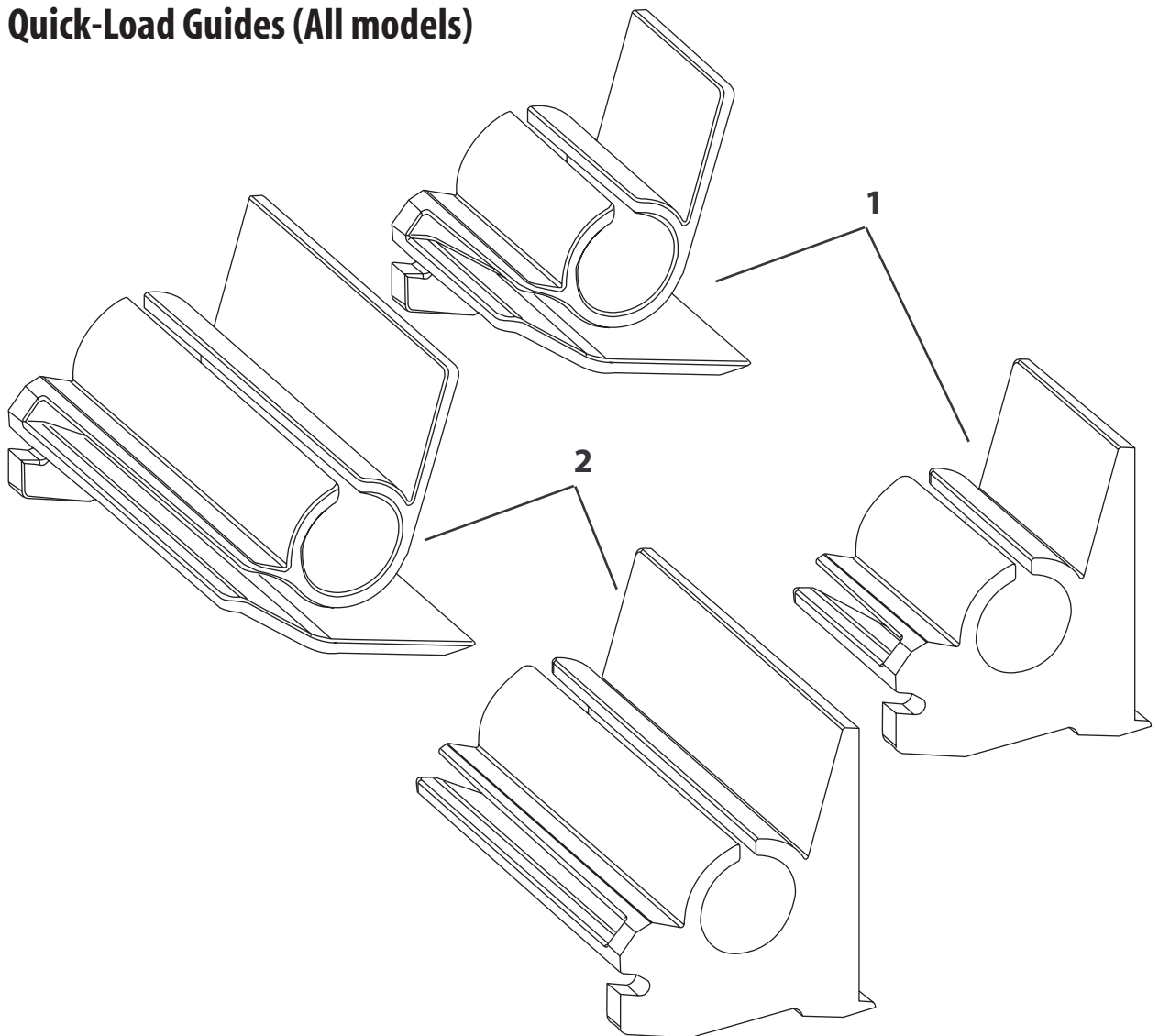
Pos.	Part No.	Description	Remarks
1 + 2	1-206583-90	Megatop assy. for 8-inch media roll (blue gray)	Option. Complete unit incl 4 hinges.
1	1-206133-95	8-inch Roll Cover (transparent/blue gray)	2 hinges included
2	1-206335-95	Side door for 8-inch Roll Cover (blue gray)	2 hinges included

Front Door (F4 Compact Industrial)



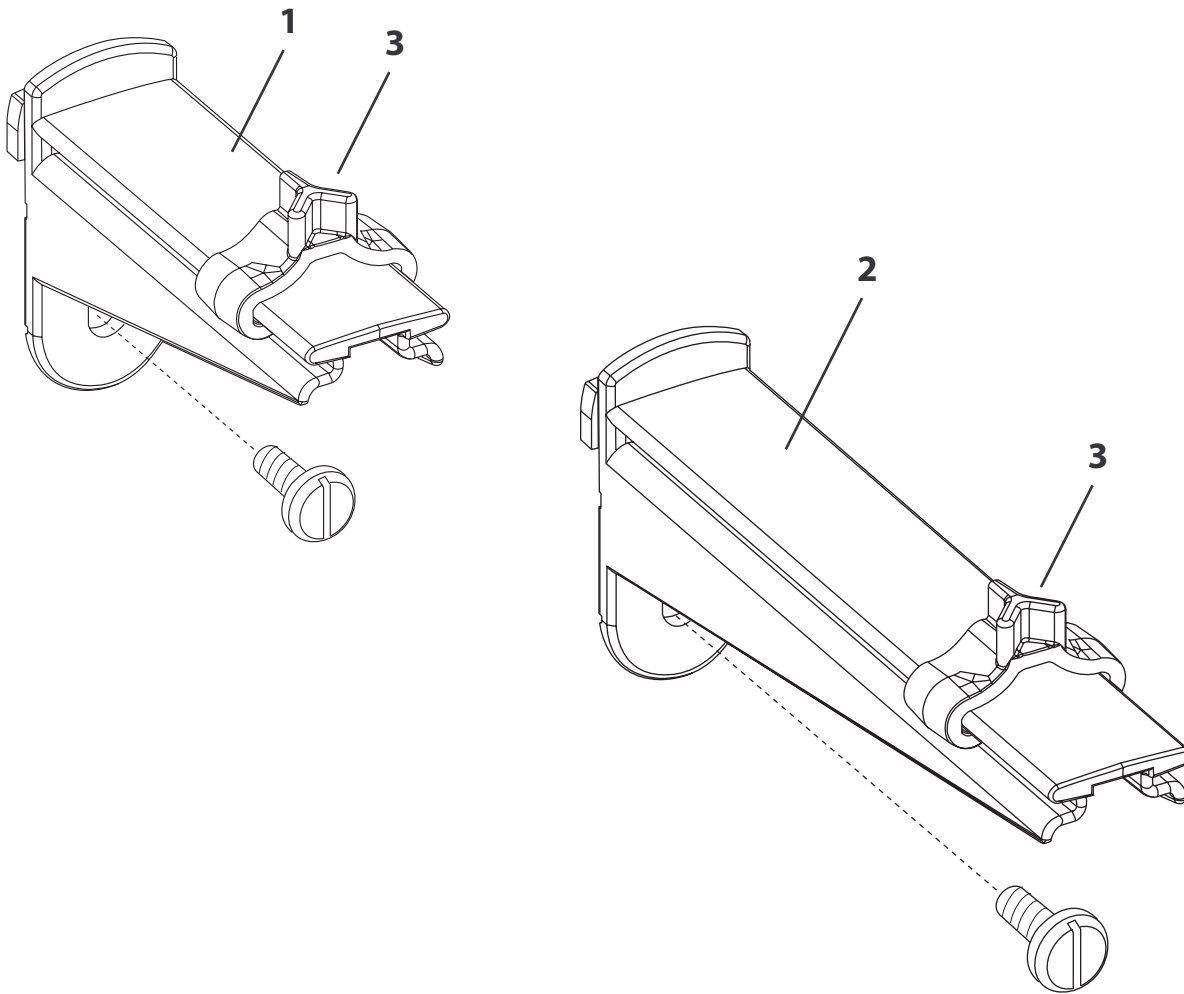
Pos.	Part No.	Description	Remarks
1	1-206149-10	Door, Front (blue gray)	Incl. two expanding rivets

Quick-Load Guides (All models)



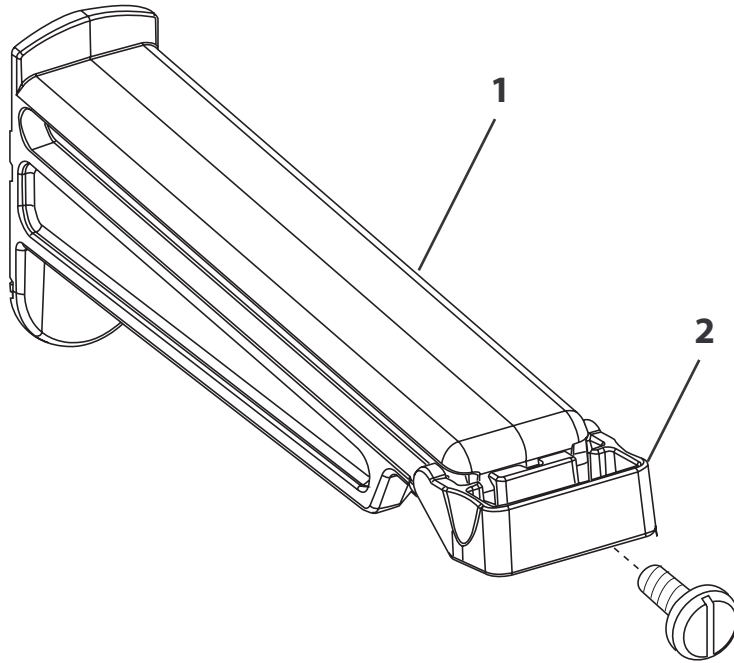
Pos.	Part No.	Description	Remarks
1	1-206562-90	Quick-Load Guides Kit (2 inches)	Fits F2 & F4
2	1-206569-90	Quick-Load Guides Kit (4 inches)	Fits F4 and F4 CI only

Media Supply Roll Post (F2 & F4)



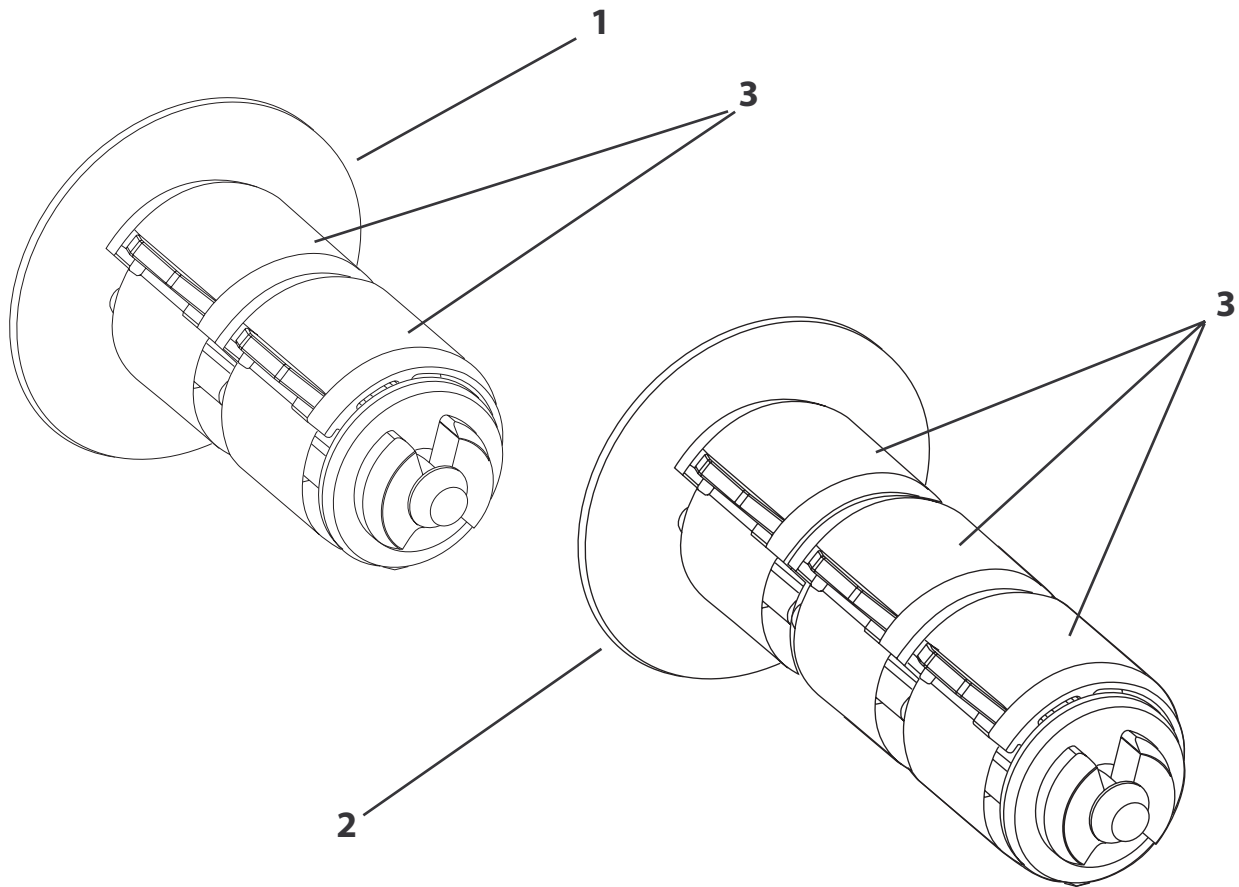
Pos.	Part No.	Description	Remarks
1	1-206561-90	Media Supply Roll Post F2 assy.	Incl. edge guide and screw
2	1-206567-90	Media Supply Roll Post F4 assy.	Incl. edge guide and screw
3	1-206247-01	Edge Guide	

Media Supply Roll Post (F4 Compact Industrial)



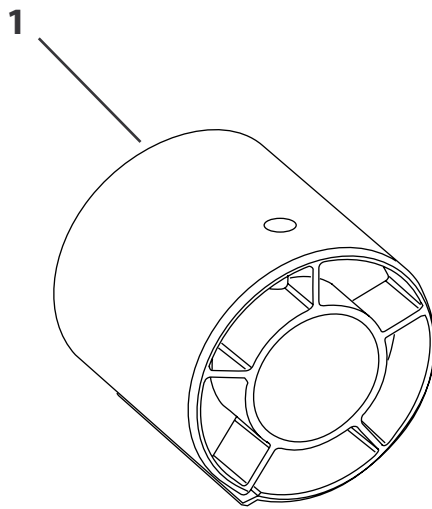
Pos.	Part No.	Description	Remarks
1	1-206577-90	Media Supply Roll Post F4 Compact Industrial assy.	Incl. edge guide and screw
2	1-206438-01	Edge Guide	

Media Supply Hub (F2 ,F4, and F4 Compact Industrial, option)



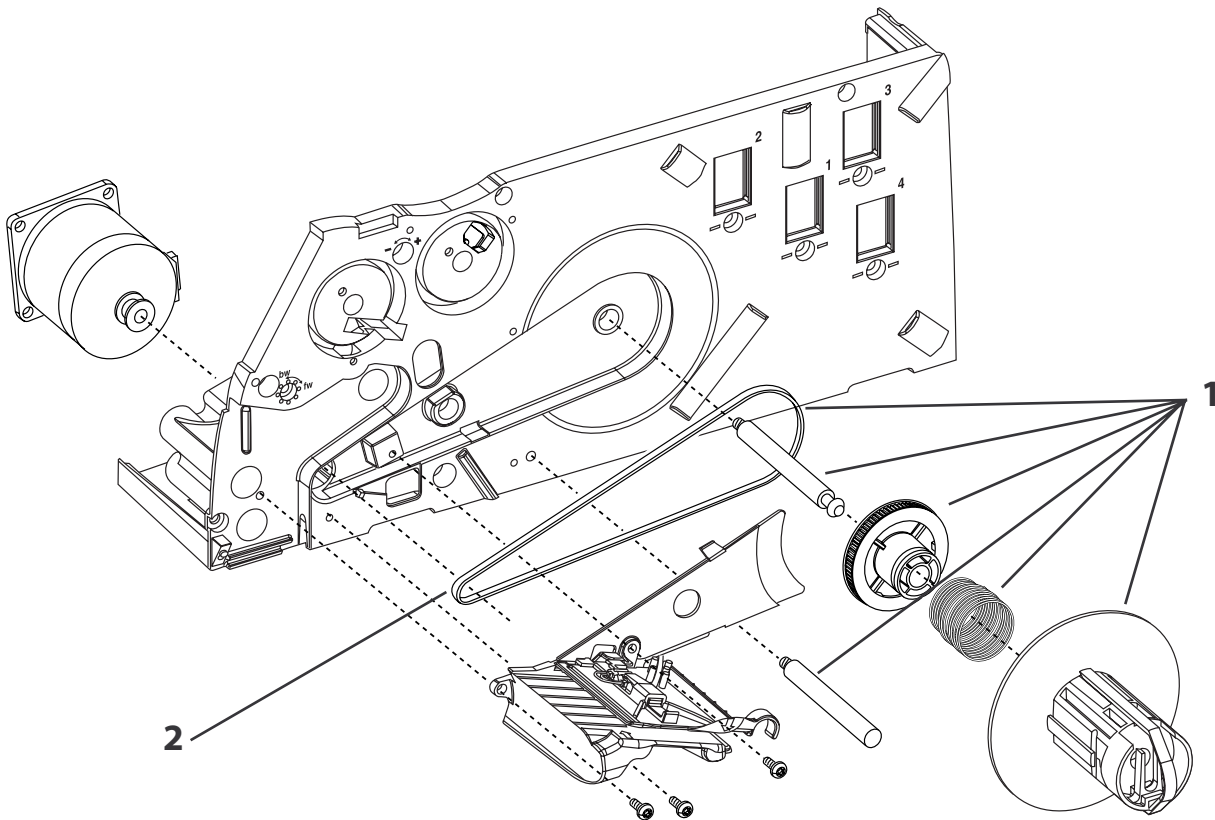
Pos.	Part No.	Description	Remarks
1	1-206563-90	Media Supply Hub F2 assy.	Complete unit.
2	1-206568-90	Media Supply Hub F4 assy. (Fits F4 & F4 Compact Industrial)	Complete unit.
3	1-150166-00	Bobbin Element	

3-inch Adapter (All models, option)



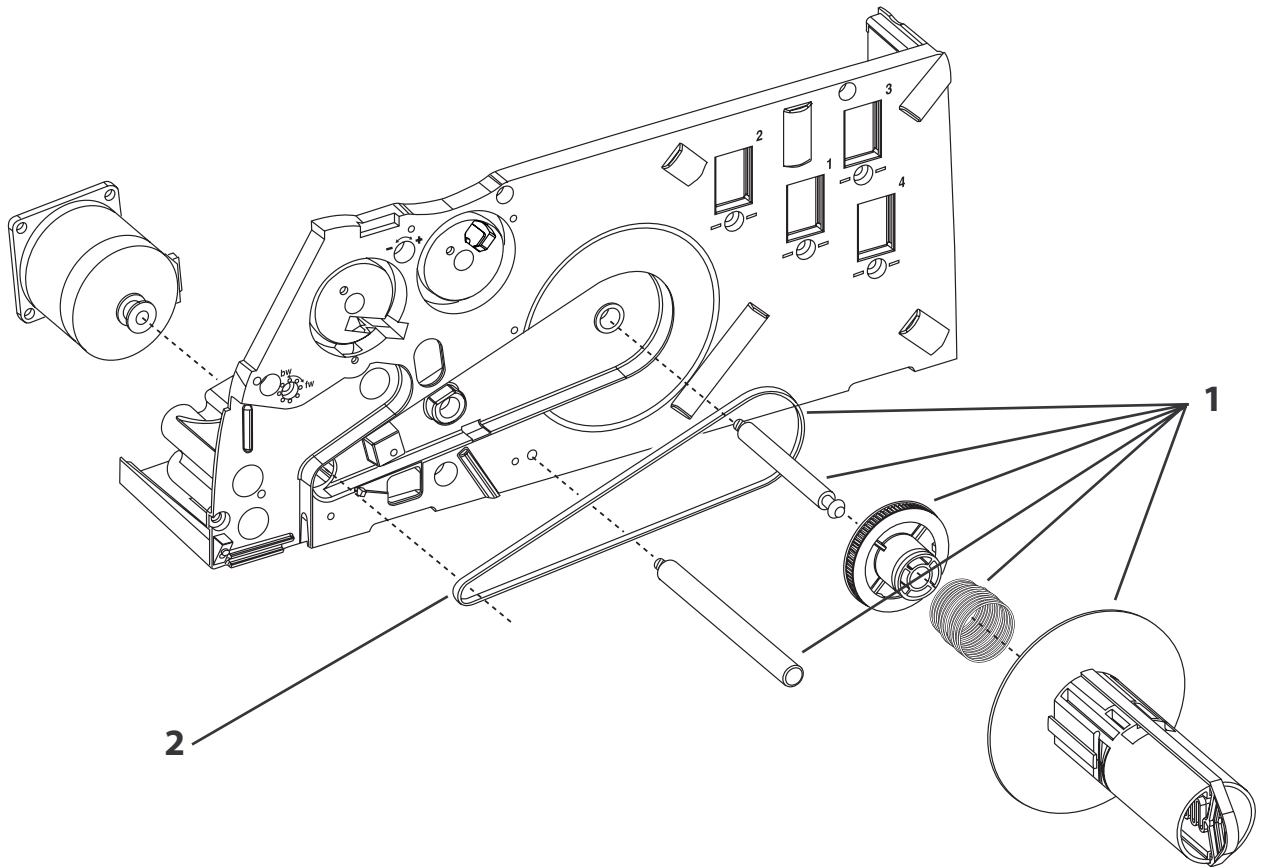
Pos.	Part No.	Description	Remarks
1	1-040327-52	Bobbin Adapter assy.	Ø 76 mm (3")

Liner Takeup Unit (F2, option)



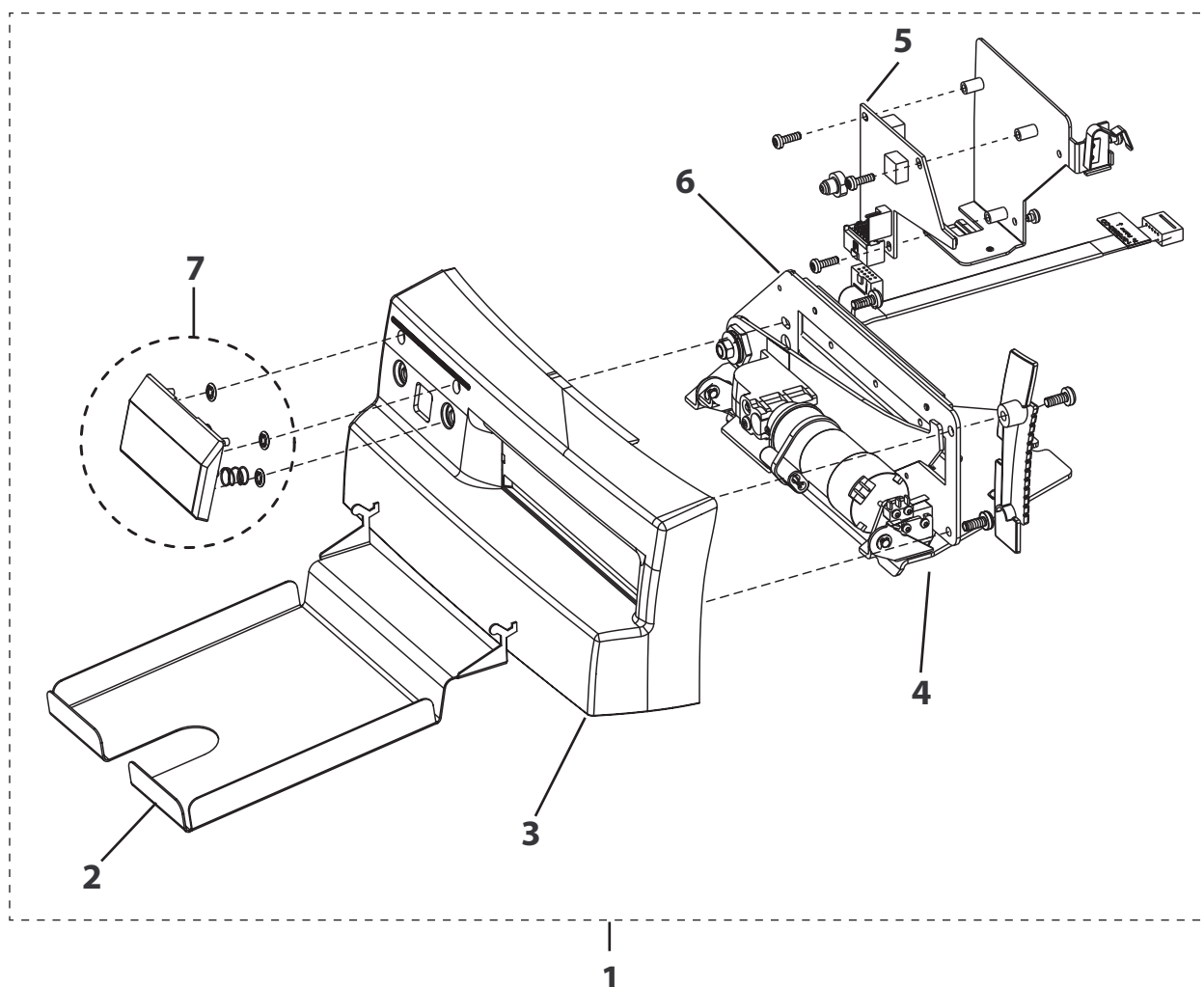
Pos.	Part No.	Description	Remarks
1	1-206570-90	Liner Takeup Unit assy.	Includes hub, spring clutch, pulley, shaft, belt, and guide shaft.
2	1-995103-04	Timing Belt	

Liner Takeup Unit (F4 & F4 Compact Industrial, option)



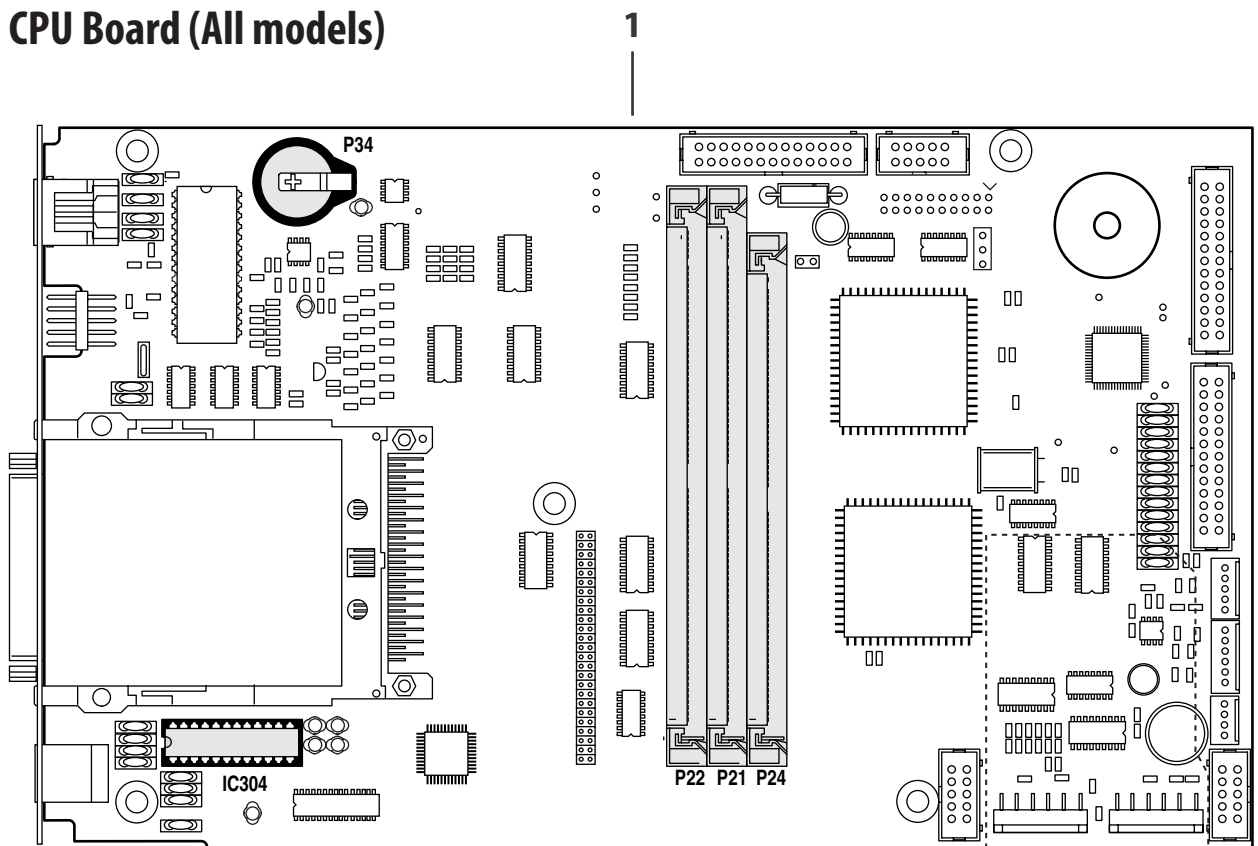
Pos.	Part No.	Description	Remarks
1	1-206571-90	Liner Takeup Unit assy.	Includes hub, spring clutch, pulley, shaft, belt, and guide shaft.
2	1-995103-04	Timing Belt	

Paper Cutter (F4 & F4 Compact Industrial, option)



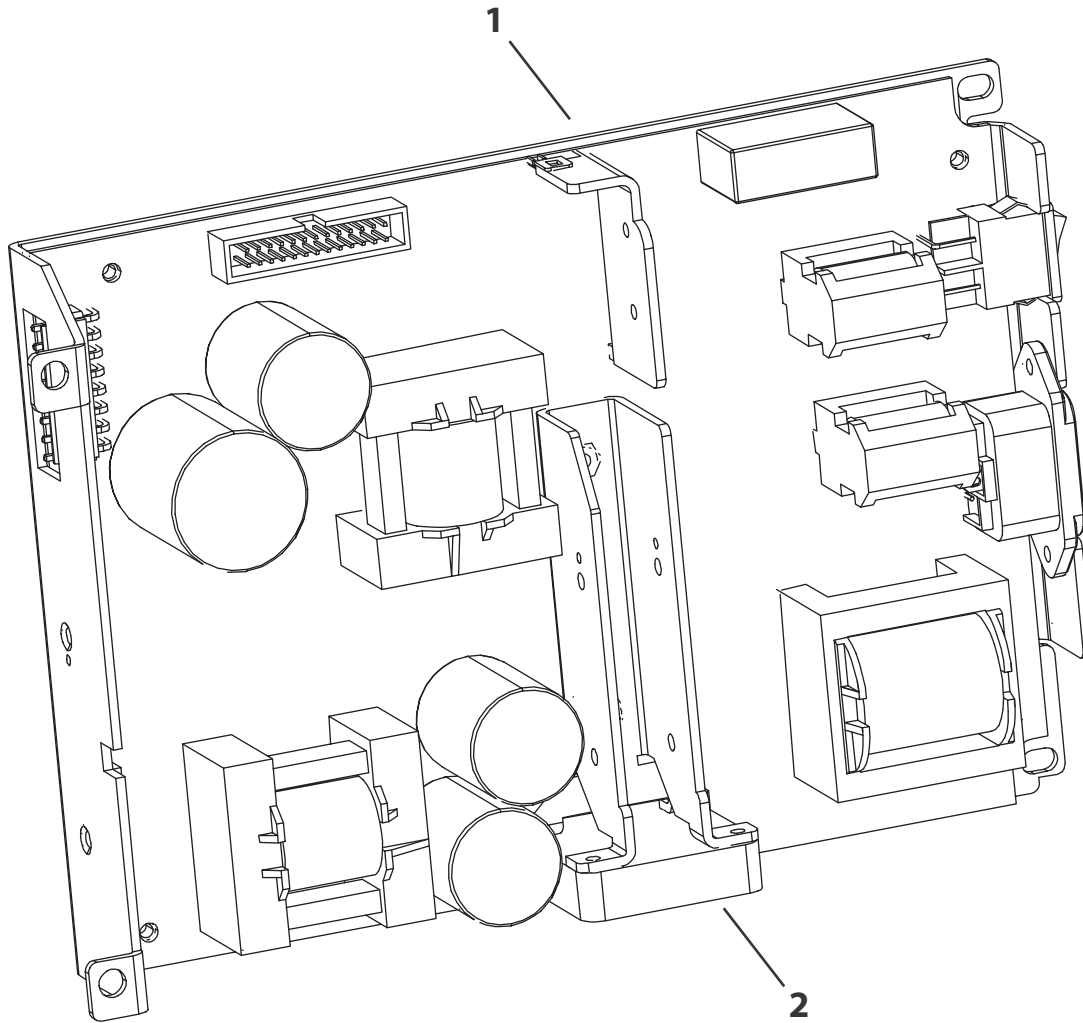
Pos.	Part No.	Description	Remarks
1	1-206011-90	Cutter Kit assy.	Complete kit F4
	1-206013-90	Cutter Kit assy.	Complete kit F4 CI
2	1-206303-00	Tray	
3	1-206342-01	Cover	F4 (light gray)
	1-206342-10	Cover	F4 CI (metallic gray)
4	1-206139-02	Cutter assy.	
5	1-971618-27	Circuit Board assy.	
6	1-975563-00	Cable assy.	
7	1-406227-90	Print Button assy. (Incl. 1 spring and 4 StarLoc washers)	F4 (dark gray)
	1-406227-95	Print Button assy. (Incl. 1 spring and 4 StarLoc washers)	F4 CI (blue gray)

CPU Board (All models)



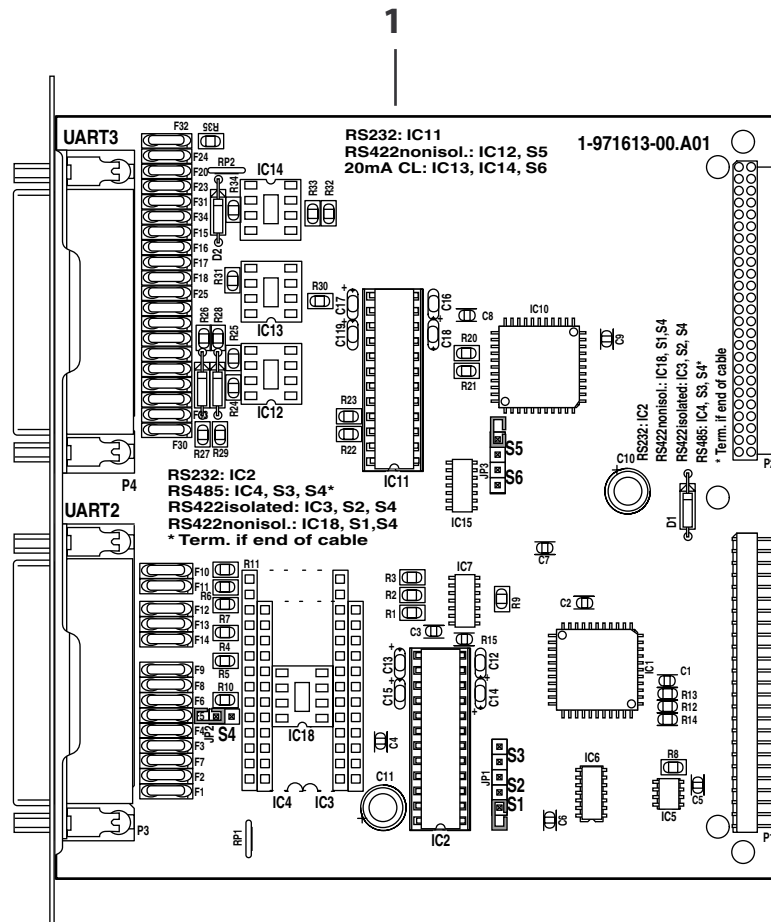
Pos.	Part No.	Description	Remarks
1	1-971608-90	CPU board assy.	Flash and DRAM SIMMs not included
P22	1-020015-xx	Flash SIMM (Boot)	Incl. Intermec Fingerprint v7.xx & Intermec Shell v4.xx Flash memory expansion Flash memory expansion w. boot sector and Fingerprint firmware. DRAM memory expansion
P21	1-971605-90	Flash SIMM (2MB)	
P21	1-971617-90	Flash SIMM (4MB)	
P24	1-959070-00	DRAM SIMM (4 MB)	
IC304	1-956016-00	RS-232 Driver Circuit	
P34	1-956009-90	Real Time Clock Circuit	

Power Supply Unit (All models)



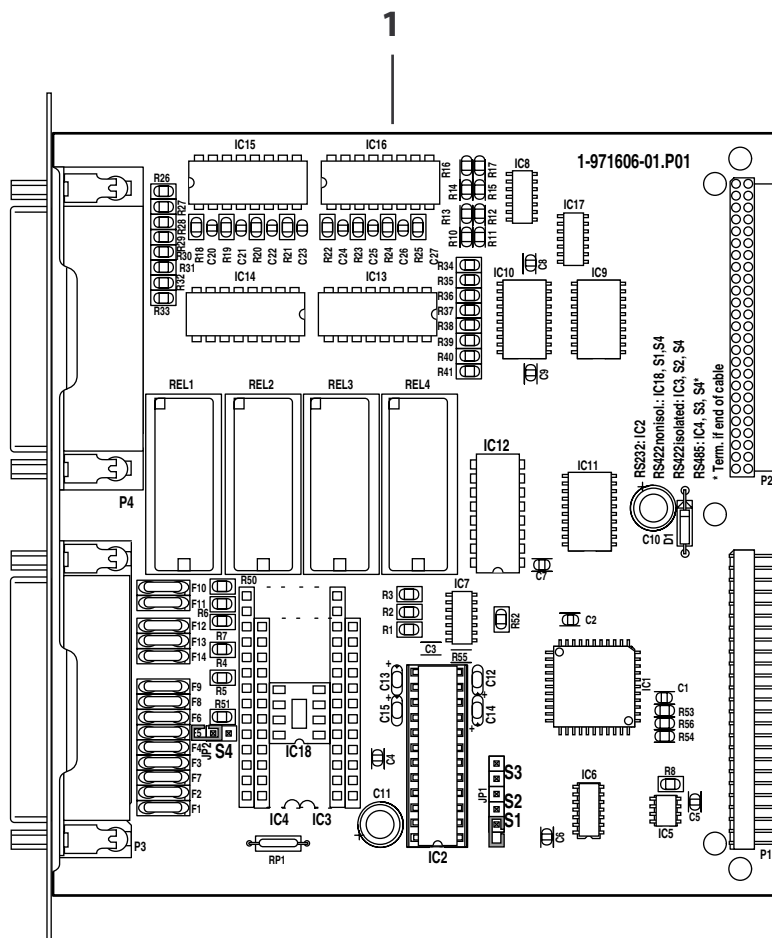
Pos.	Part No.	Description	Remarks
1	1-971607-55	Power Supply Unit assy.	Incl. fan
2	1-959075-00	Fan 12V	

Double Serial Interface Board (All models, option)



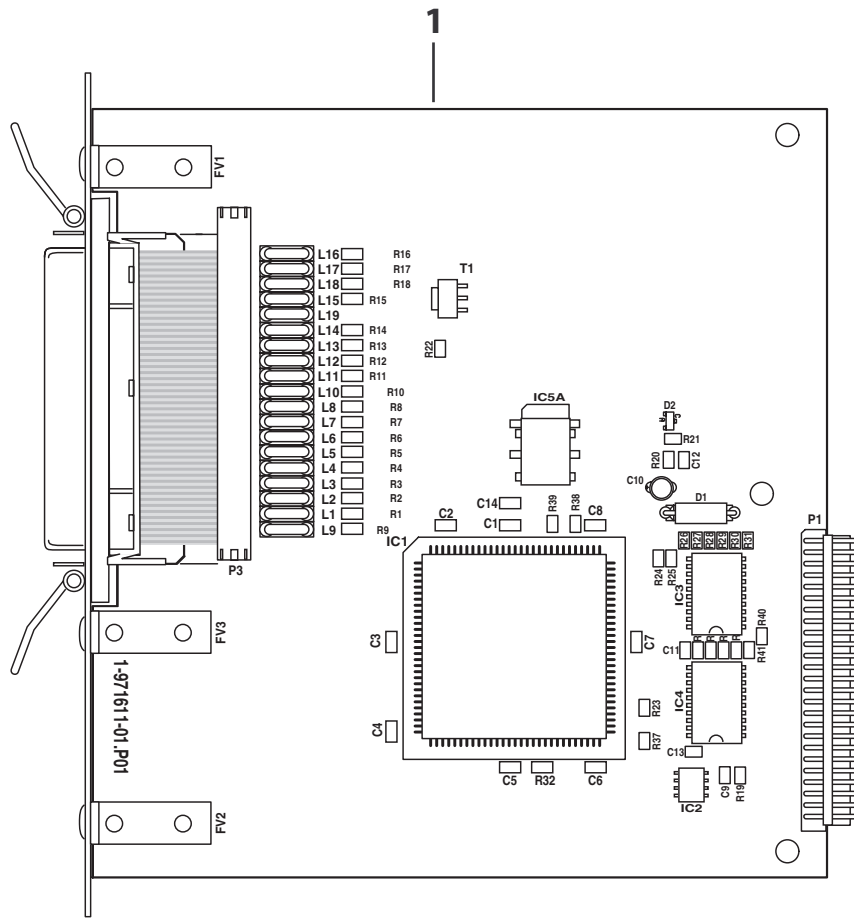
Pos.	Part No.	Description	Remarks
1	1-010554-00	Double Serial Interface Board assy.	Fitted for 2 x RS 232C Incl. cable to CPU board
–	1-956036-00	Modification Circuits (for one port): RS 422 Non Isolated	
–	1-956038-01	RS 422 Isolated	
–	1-985319-00	20 mA Current Loop	
–	1-956037-01	RS 485	

Serial/Industrial Interface Board (All models, option)



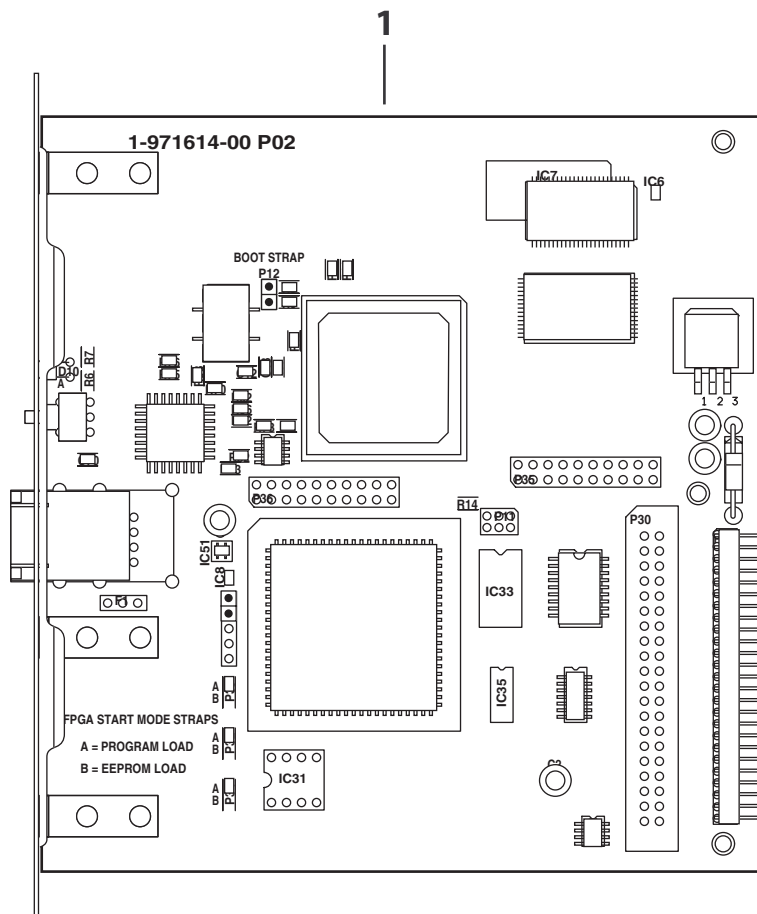
Pos.	Part No.	Description	Remarks
1	1-010558-00 1-010558-10 1-010558-20 1-010558-30	Industrial Interface Board equipped with: RS 232C driver circuit RS 422 non isolated driver circuit RS 422 isolated driver circuit RS 485 driver circuit	Incl. cable to CPU board

IEEE 1284 Parallel Interface Board (All models, option)



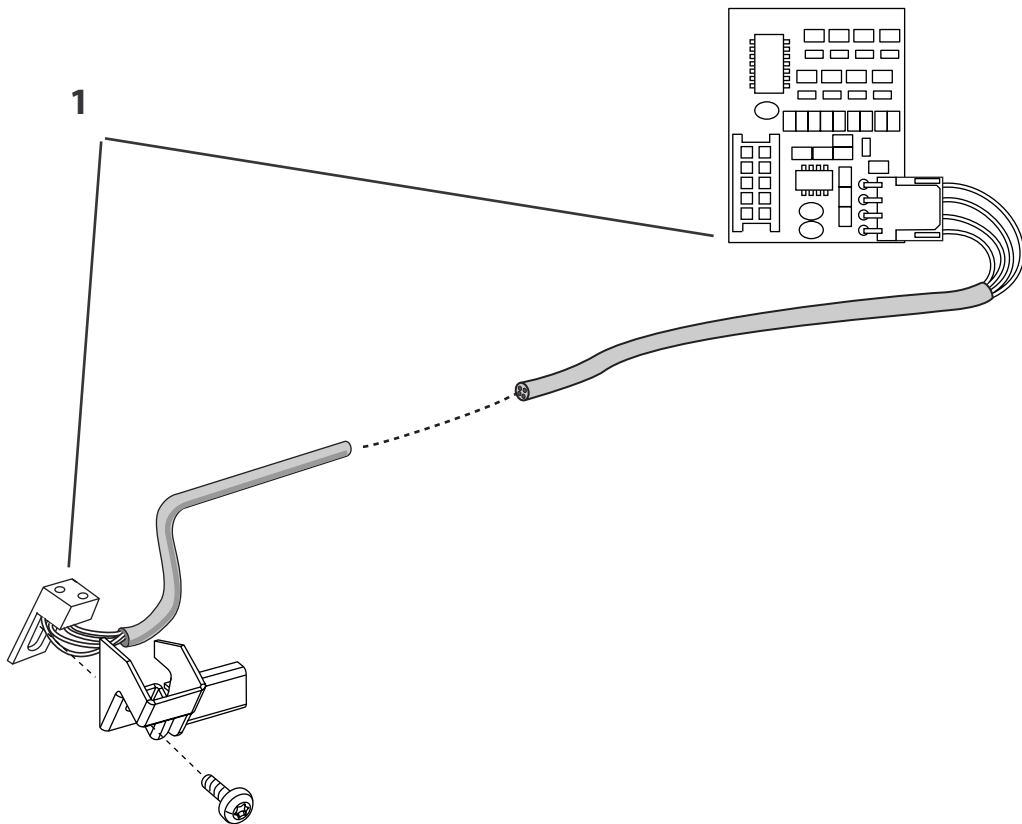
Pos.	Part No.	Description	Remarks
1	1-971611-90	IEEE 1284 Parallel Interface Board assy	Incl. cable to CPU board

EasyLAN 100i Interface Board (All models, option)



Pos.	Part No.	Description	Remarks
1	1-971614-90	EasyLAN 100i Interface Board Kit	Incl. cable to CPU board, cover plate, manual, and CD-ROM.

Label Taken Sensor (All models, option)



Pos.	Part No.	Description	Remarks
1	1-975609-90	Label Taken Sensor Kit	Complete kit

Miscellaneous (F2 & F4)
not illustrated

Pos.	Part No.	Description	Remarks
–	1-982731-00	Power Cord 2.4 m UL/CSA	U.S.A., Canada
–	1-982756-00	Power Cord 2 m	U.K., Ireland
–	1-982735-00	Power Cord 2.5 m EUR	European standard
–	1-975583-18	Parallel Interface Cable	
–	1-975582-00	Serial Interface Cable RS-232C DB25 → DB9	
–	1-206280-00	Cable (Power Supply + CPU → Printhead)	<i>EASYCODER F2</i>
–	1-206279-04	Cable (Power Supply + CPU → Printhead)	<i>EASYCODER F4 & F4 CI</i>
–	1-110101-00	Cleaning Card 25-pack	<i>EASYCODER F2</i>
–	1-110501-00	Cleaning Card 25-pack	<i>EASYCODER F4 & F4 CI</i>
–	1-956026-02	Flash Memory Card 2MB (empty)	
–	1-956026-08	Flash Memory Card 8MB (empty)	
–	–	Firmware Cards and Font Card (various font collections)	Refer to Spare Parts List
–	1-200591-02	External Keyboard	
–	1-010590-90	Configuration Kit for External Keyboard	Incl. PC cable, PC software, manual, and clear & blind key-tops.
–	1-010560-01	MobileLAN® access 2102 Mounting Kit	



Intermec Printer AB
Idrottsvägen 10, P.O. Box 123
S-431 22 Mölndal, Sweden
tel +46 31 869500
fax +46 31 869595
www.intermec.com

EasyCoder F2, F4, and F4 Compact Industrial, Spare Parts Catalog



1-960497-04