

Spare Parts Catalogue

*P/N 1-960428-01
Edition 2
December 1998*

EasyCoder 501 XP Bar Code Label Printer


Technologies Corporation

A **UNOVA** Company

Introduction

Contents

1. Introduction	Contents	1
	Spare Parts Policy	2
	General View	3
2. Spare Parts	Keyboard	4
	Chassis	5
	Print Unit	6
	Ribbon Unwind Unit	7
	Ribbon Rewind Unit	8
	Ribbon End Sensor	9
	Paper Supply Spool	10
	Bobbin Adapter	11
	Paper Roll Retainer	12
	Label Slack Absorber	13
	Paper Rewind Device	14
	Rewind Guide Plate	15
	CPU Board.....	16
	Transformer Unit.....	17
	Parallel Interface Board	18
	Industrial Interface Board	19
	Label-Taken Sensor Kit	20
	Ribbon Low Sensor Kit	21
	Paper Cutter Kit	22
	Fan-Fold Guides	23
	Miscellaneous (cables, cleaning card, etc.)	24

*Intermec EasyCoder 501 XP
Spare Parts Catalogue
Edition 2, December 1998
Part No. 1-960428-01*

*© Copyright Intermec Printer AB, 1998. All rights reserved.
Published in Sweden.*

*EasyCoder and Fingerprint are registered trademarks of
Intermec Technologies Corp.*

Spare Parts Policy

This Spare Parts Catalogue contains information on items presently available as spare parts and accessories for the Intermec EasyCoder 501 XP printer model.

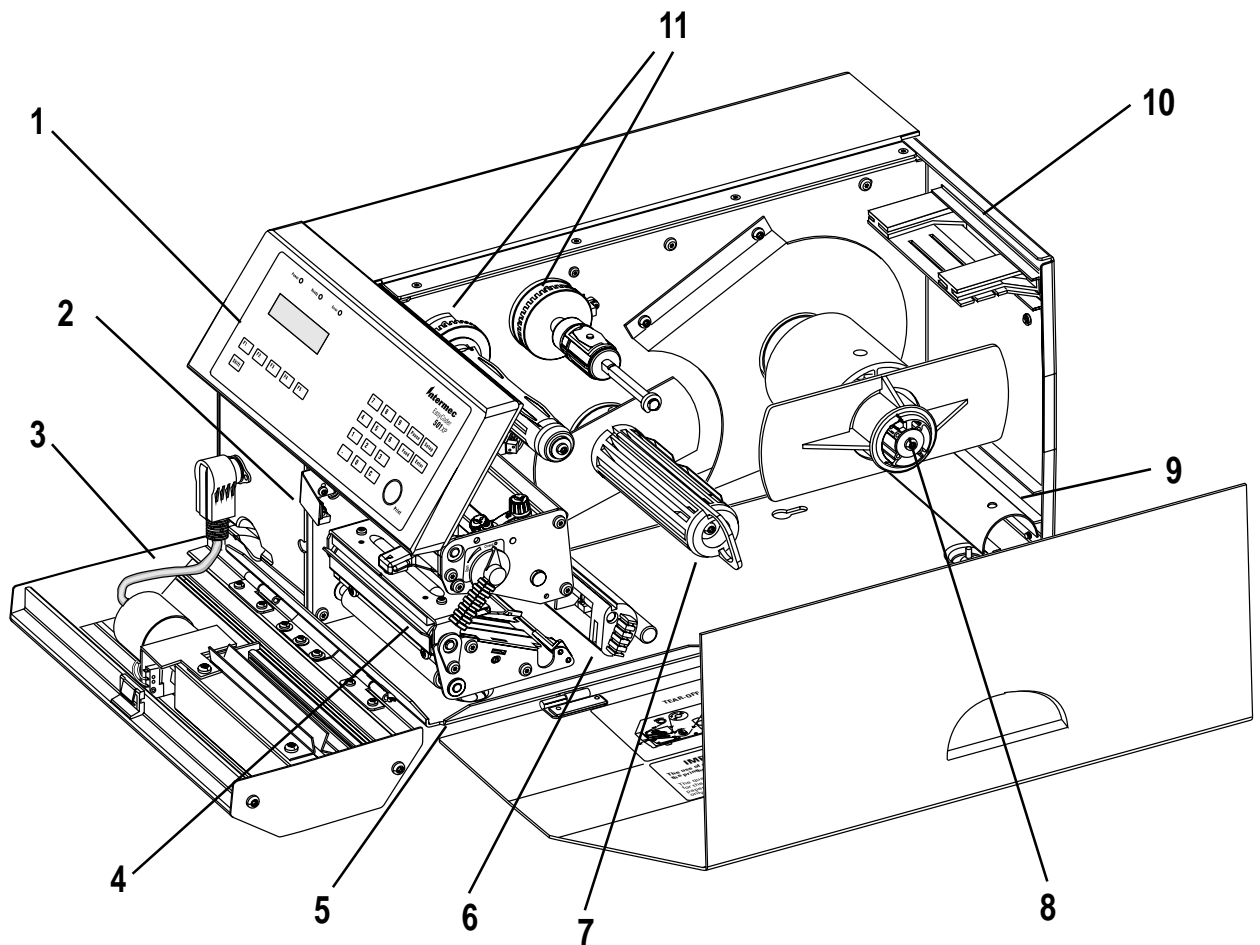
You will notice that, as a rule, we supply only assembled spare parts. Our policy is based on the conviction that this is a more rational way of stocking spares and supplying adequate service as well.

For further information about parts not listed in this volume, please contact our Spare Parts Sales Department.

Information in this manual is subject to change without prior notice and does not represent a commitment on the part of Intermec.

**For updated information,
please refer to the latest edition
of the Spare Parts Price List.**

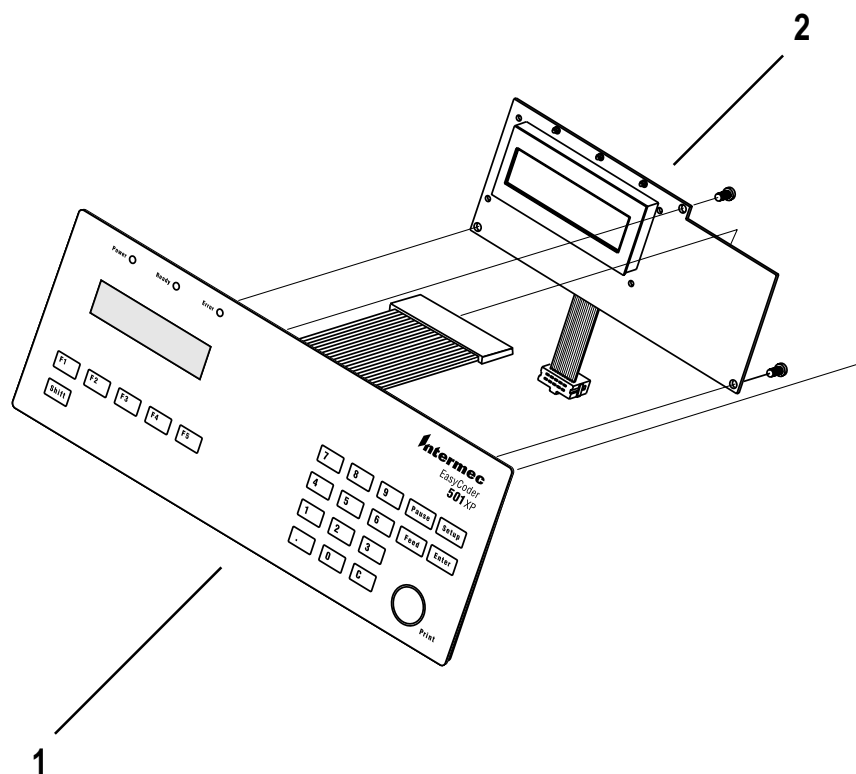
General View



Pos.	Part No.	Description	Remarks
1	–	Keyboard	See page 4
2	1-040559-00	Label-Taken Sensor (option)	See page 20
3	1-040551-00	Paper Cutter Kit (option)	See page 22
4	–	Print Unit	See page 6
5	–	Chassis	See page 5
6	1-040061-00	Label Slack Absorber	See page 13
7	–	Paper Rewind Device (option)	See page 14
8	–	Paper Supply Spool with accessories	See pages 10-12
9	1-040253-01	Rewind Guide Plate (option)	See page 15
10	1-040565-00	Fan Fold Guides (option)	See page 23
11	–	Transfer Ribbon Mechanism	See pages 7-9
–	1-971600-90	CPU-board	See page 16
–	1-971601-52	Power Supply Unit	See page 17
–	–	Other Options	See pages 18, 19, 21
–	–	Miscellaneous	See page 24

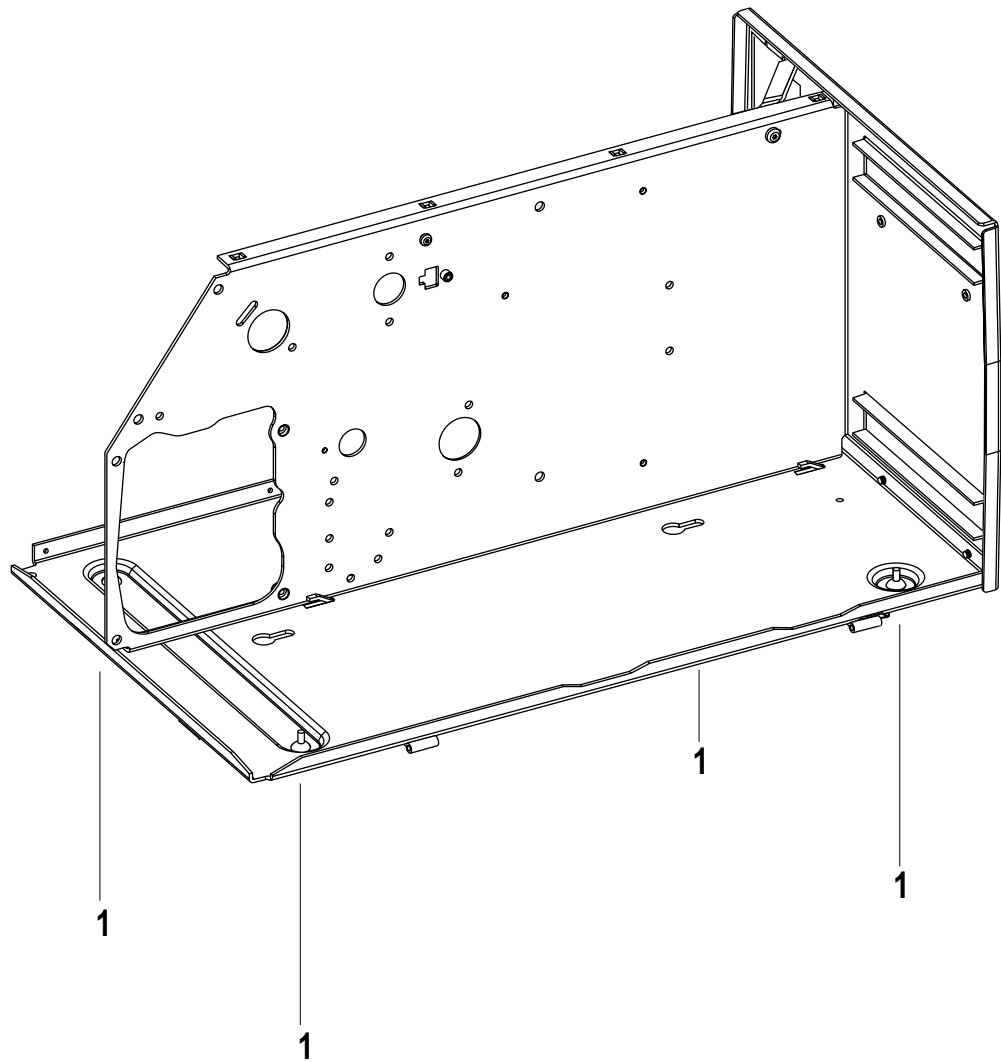
Spare Parts

Keyboard



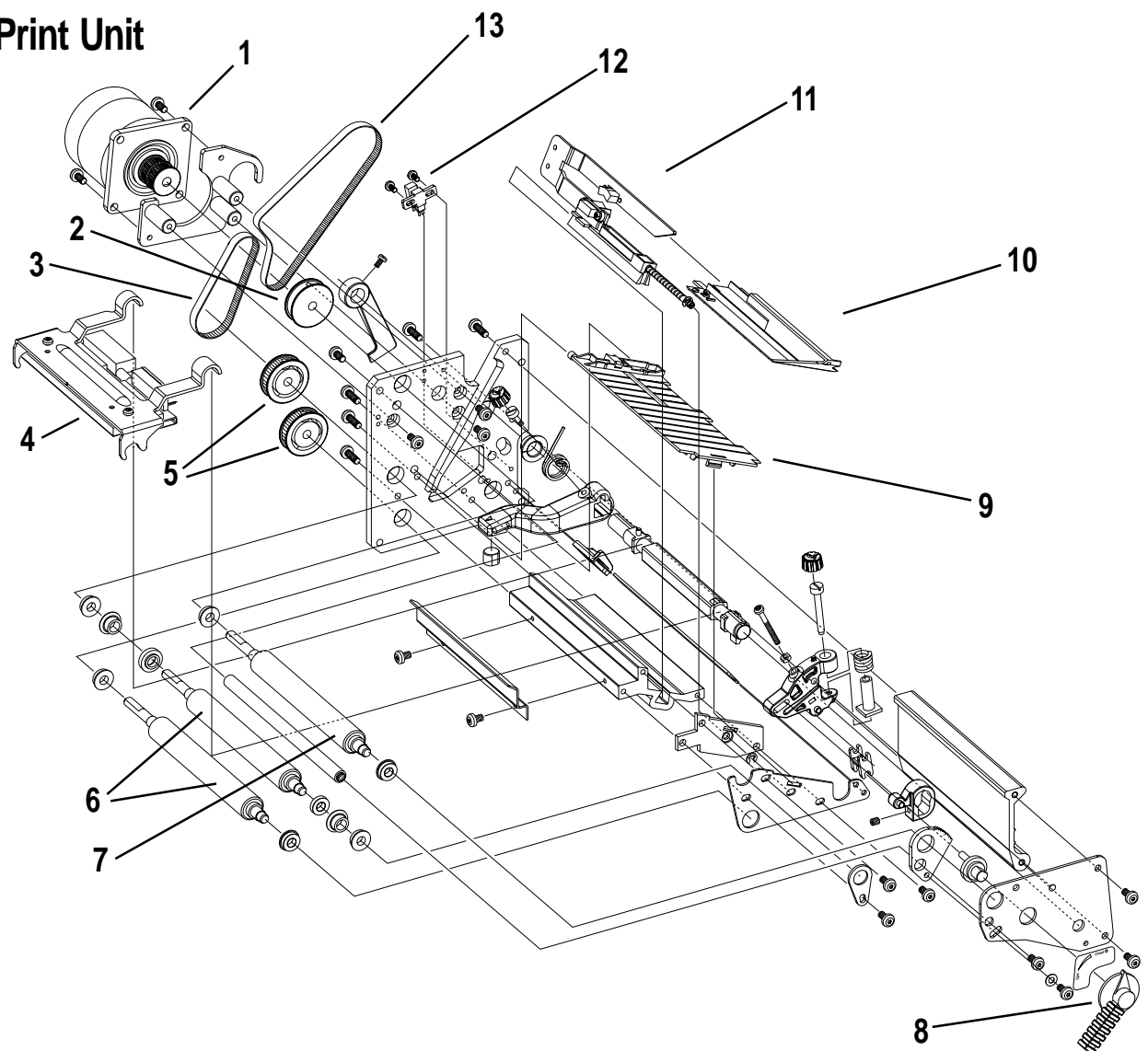
Pos.	Part No.	Description	Remarks
1	1-040386-90	Keyboard assy.	Excl. console pcb.
2	1-971604-52	Console pcb. assy.	

Chassis



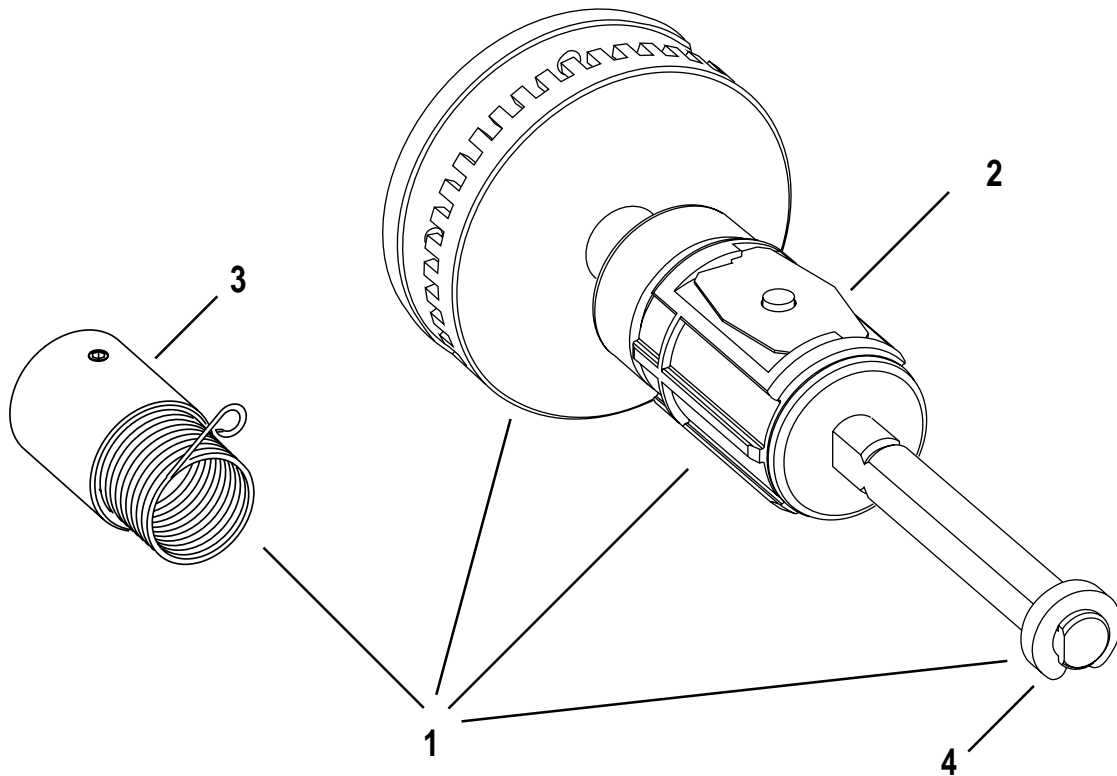
Pos.	Part No.	Description	Remarks
1	1-040272-00	Rubber Foot	

Print Unit



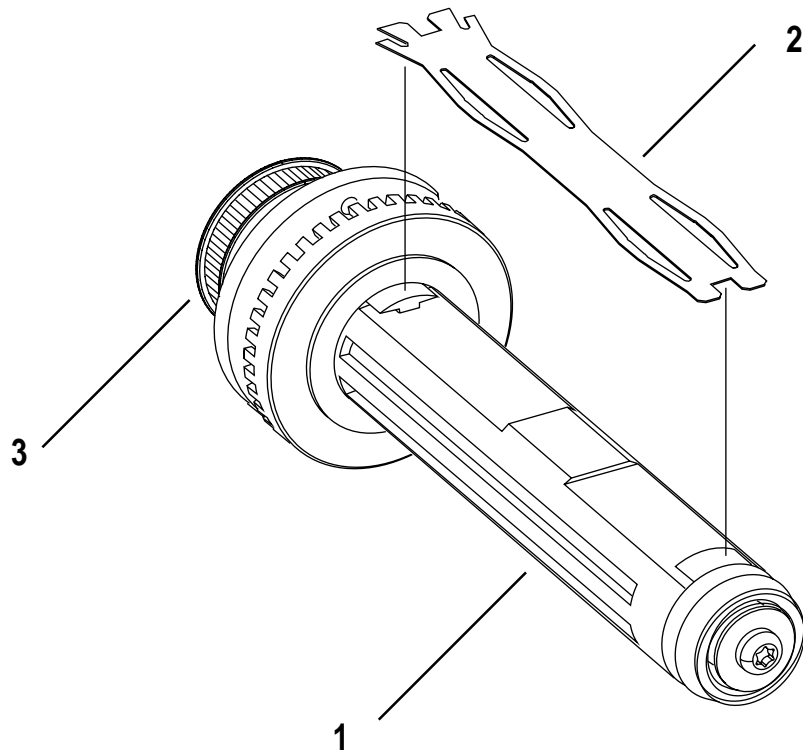
Pos.	Part No.	Description	Remarks
1	1-040958-00	Stepper Motor assy.	
2	1-040519-90	Tooth Belt Wheel	
3	1-995101-24	Tooth Belt	
4	1-010020-90	Thermal Printhead assy.	
5	1-040100-02	Tooth Belt Wheel assy.	
6	1-040230-93	Pressing Roller assy.	
7	1-040230-90	Ribbon Return Roller	
8	1-040213-20	Cam Handle	
9	1-040150-00	Guide Lower	
10	1-040151-00	Guide Upper	
11	1-040109-90	Label Stop assy.	
12	1-975607-25	Reflecting Sensor	
13	1-995101-54	Tooth Belt	

Ribbon Unwind Unit



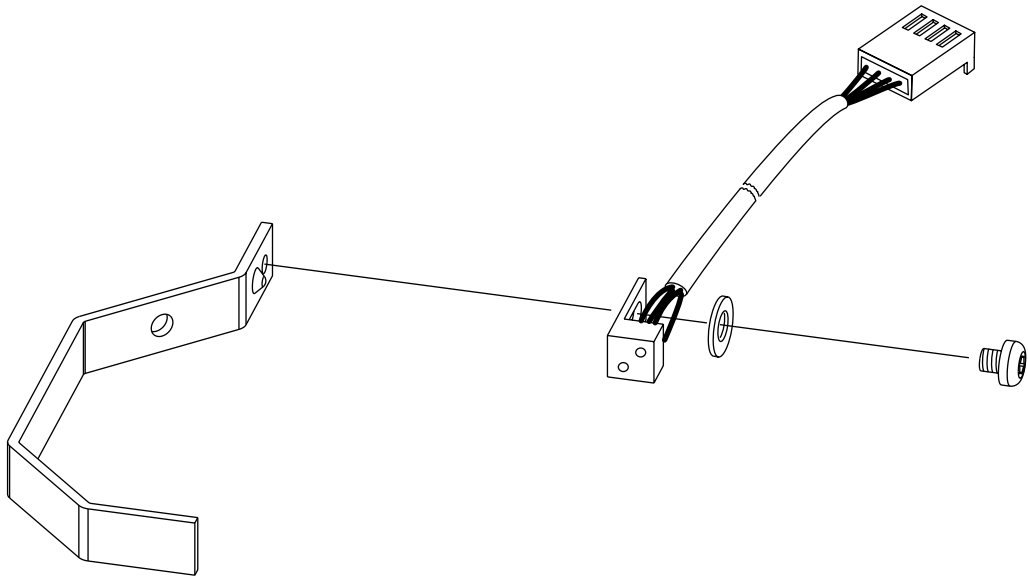
Pos.	Part No.	Description	Remarks
1	1-040073-97	Ribbon Unwind assy.	Complete unit incl. brake, pivot and fixer ring.
2	1-040157-00	Pivot assy.	
3	1-040176-00	Spring Brake assy.	
4	1-040448-00	Fixer Ring assy.	

Ribbon Rewind Unit



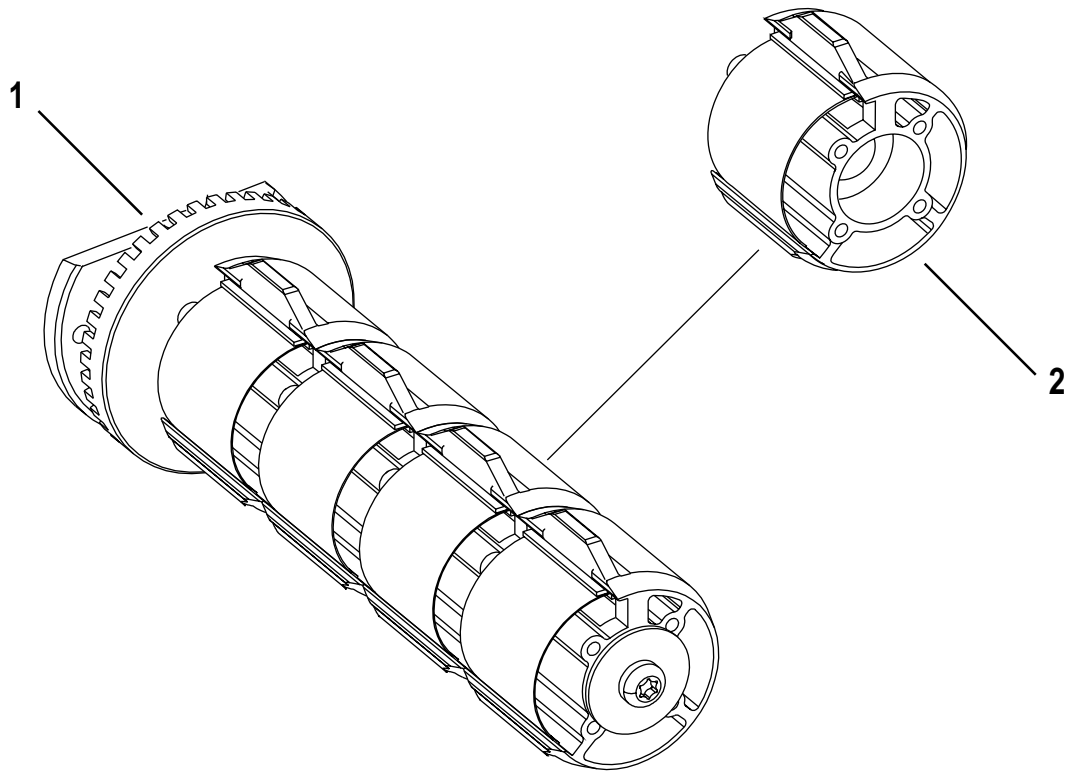
Pos.	Part No.	Description	Remarks
1	1-040065-97	Ribbon Rewind Unit assy.	Complete unit incl. gear wheel and bobbin plate.
2	1-040443-11	Bobbin Plate	
3	1-040124-00	Gear Wheel assy.	

Ribbon End Sensor



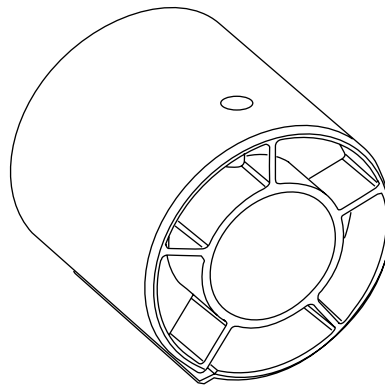
Pos.	Part No.	Description	Remarks
-	1-040074-00	Ribbon End Sensor assy.	Complete unit.

Paper Supply Spool



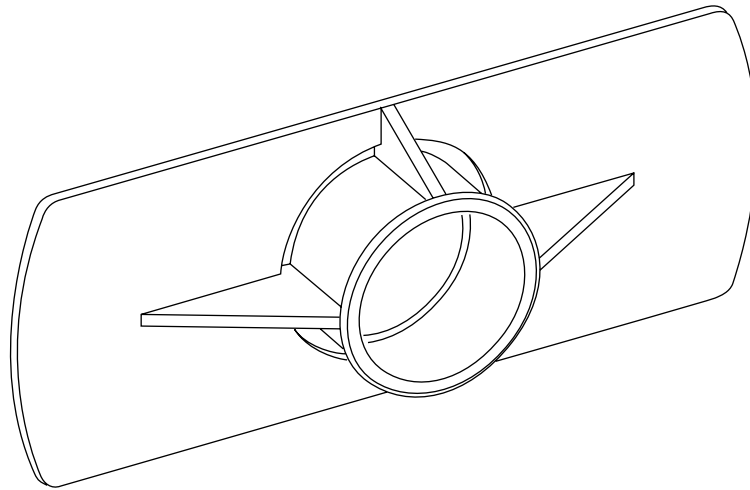
Pos.	Part No.	Description	Remarks
1	1-040060-02	Unwind Unit 4" (paper)	Complete unit.
2	1-150166-00	Bobbin assy.	

Bobbin Adapter



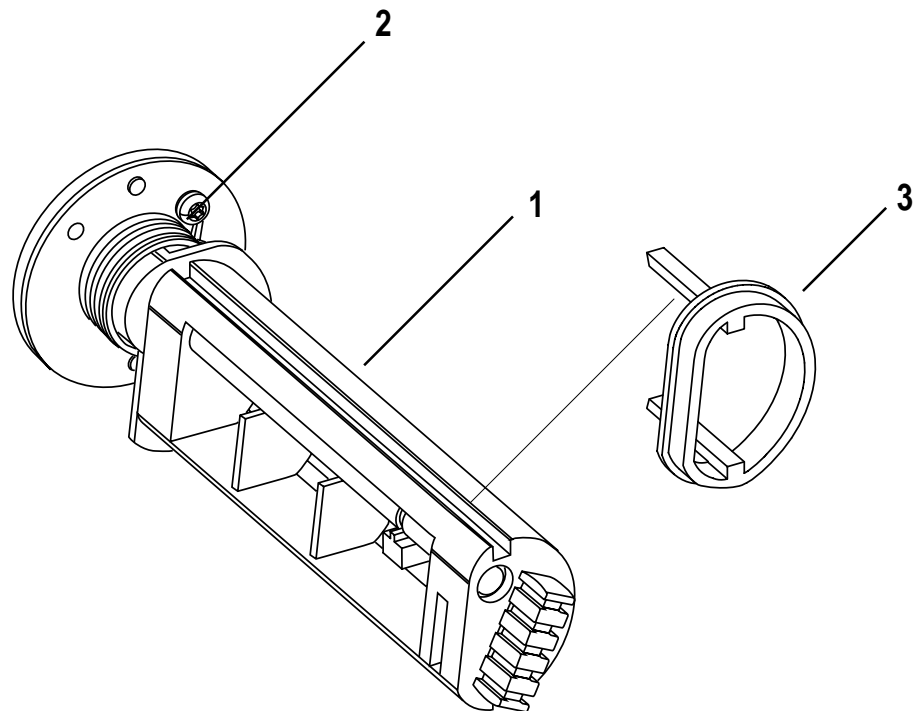
Pos.	Part No.	Description	Remarks
-	1-040327-52	Bobbin Adapter assy.	Ø 76 mm (3")

Paper Roll Retainer



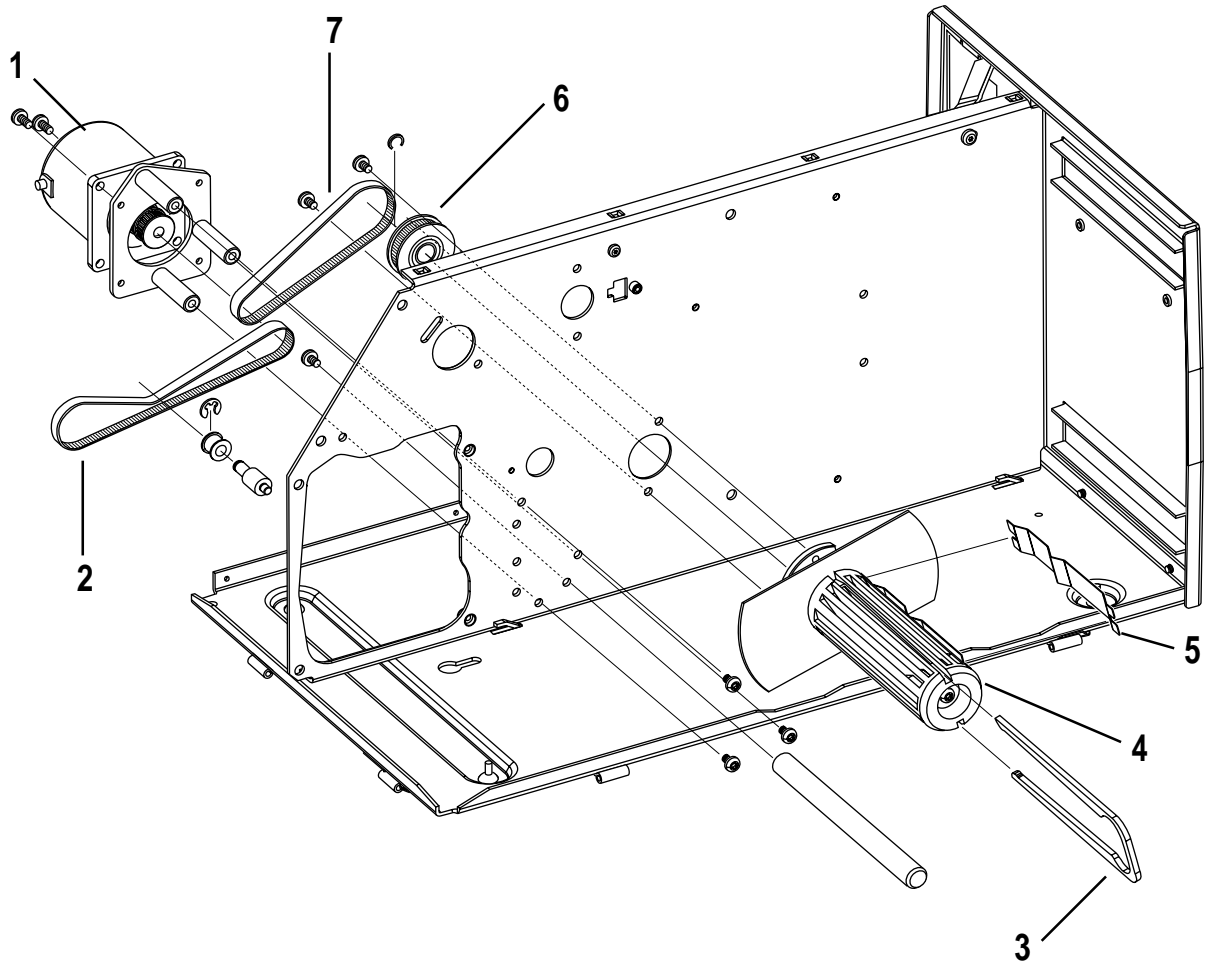
Pos.	Part No.	Description	Remarks
-	1-776290-00	Paper Roll Retainer	

Label Slack Absorber



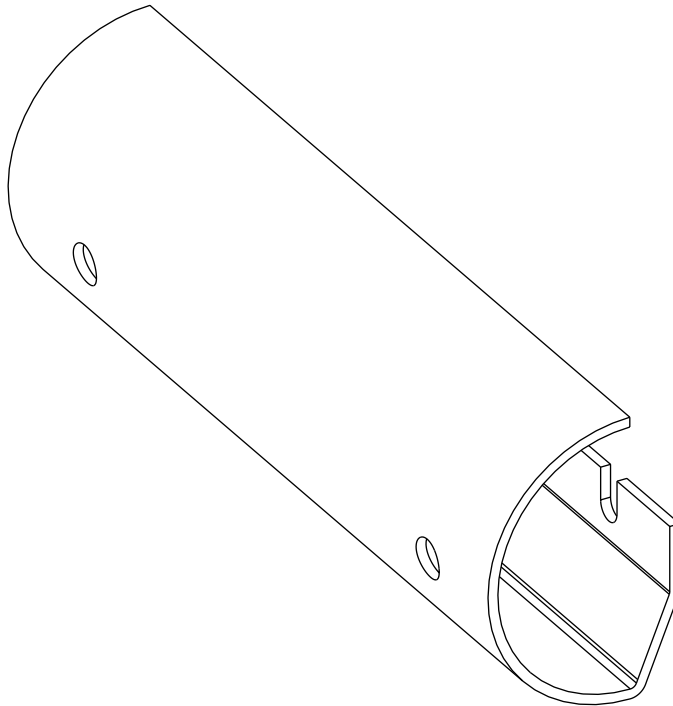
Pos.	Part No.	Description	Remarks
1	1-040061-90	Label Slack Absorber assy.	Complete unit.
2	1-040321-00	Spring	
3	1-040329-00	Edge Guide	

Paper Rewind Device



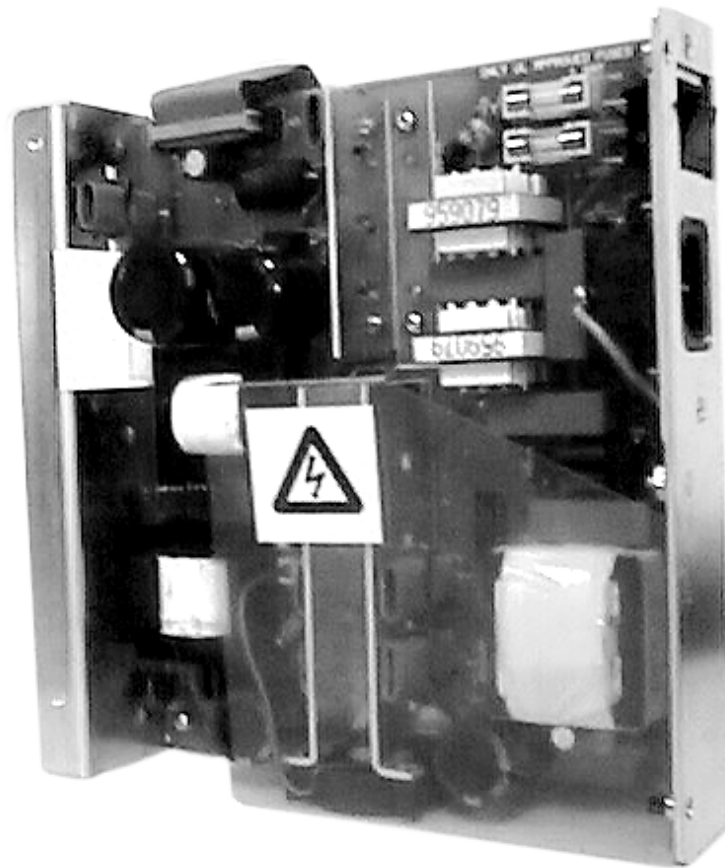
Pos.	Part No.	Description	Remarks
1	1-040958-00	Stepper Motor assy.	Cable not shown Incl. pulley, plate & brace
2	1-995101-53	Tooth Belt	
3	1-040317-00	Brace	
4	1-040063-90	Paper Rewind Unit assy.	
5	1-040335-01	Bobbin Plate (Paper Rewind)	
6	1-040124-00	Gear Wheel assy.	
7	1-995101-43	Tooth Belt	

Rewind Guide Plate



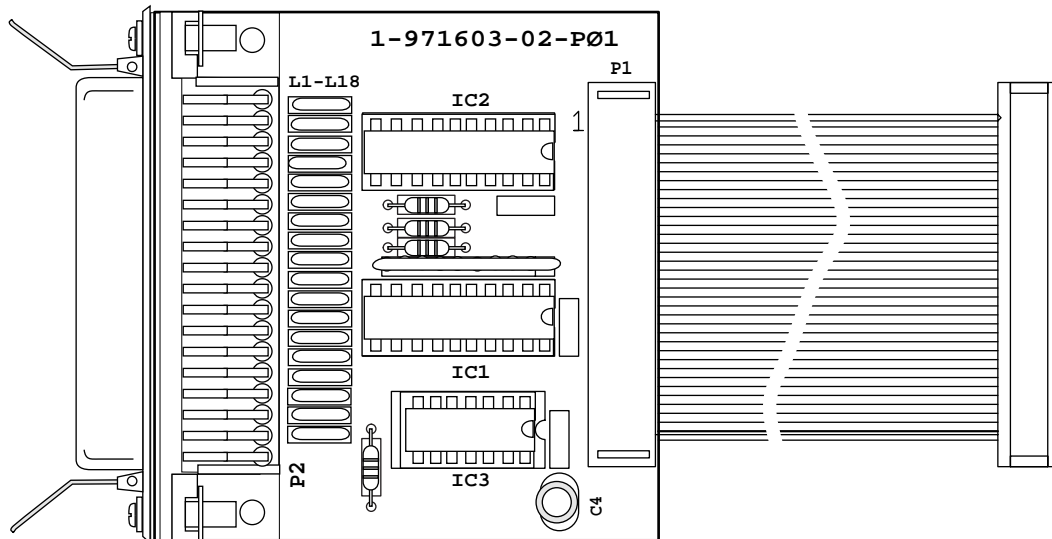
Pos.	Part No.	Description	Remarks
-	1-040253-01	Rewind Guide Plate	

Power Supply Unit



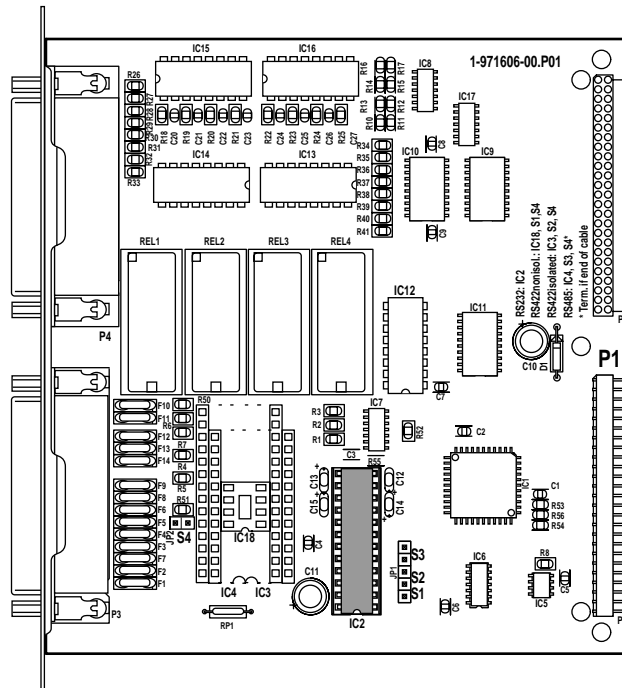
Pos.	Part No.	Description	Remarks
1	1-971601-52	Power Supply Unit assy.	

Parallel Interface Board



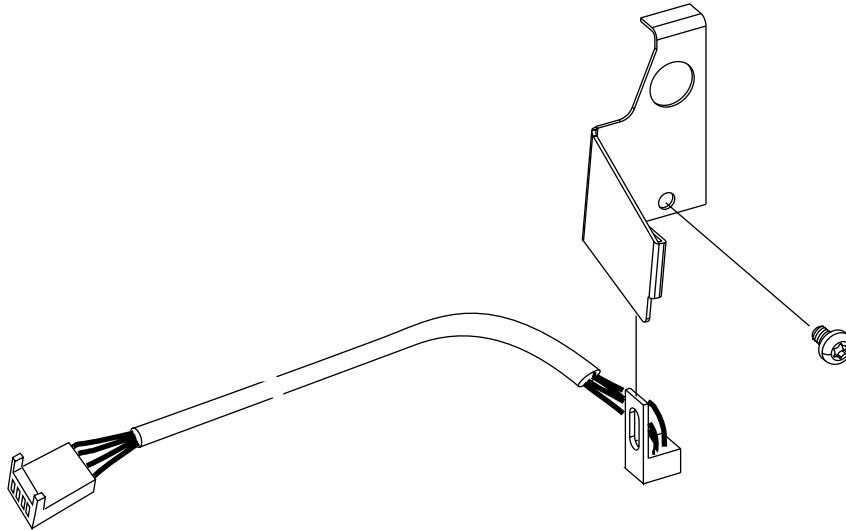
Pos.	Part No.	Description	Remarks
1	1-971603-28	Parallel Interface Board	

Industrial Interface Board



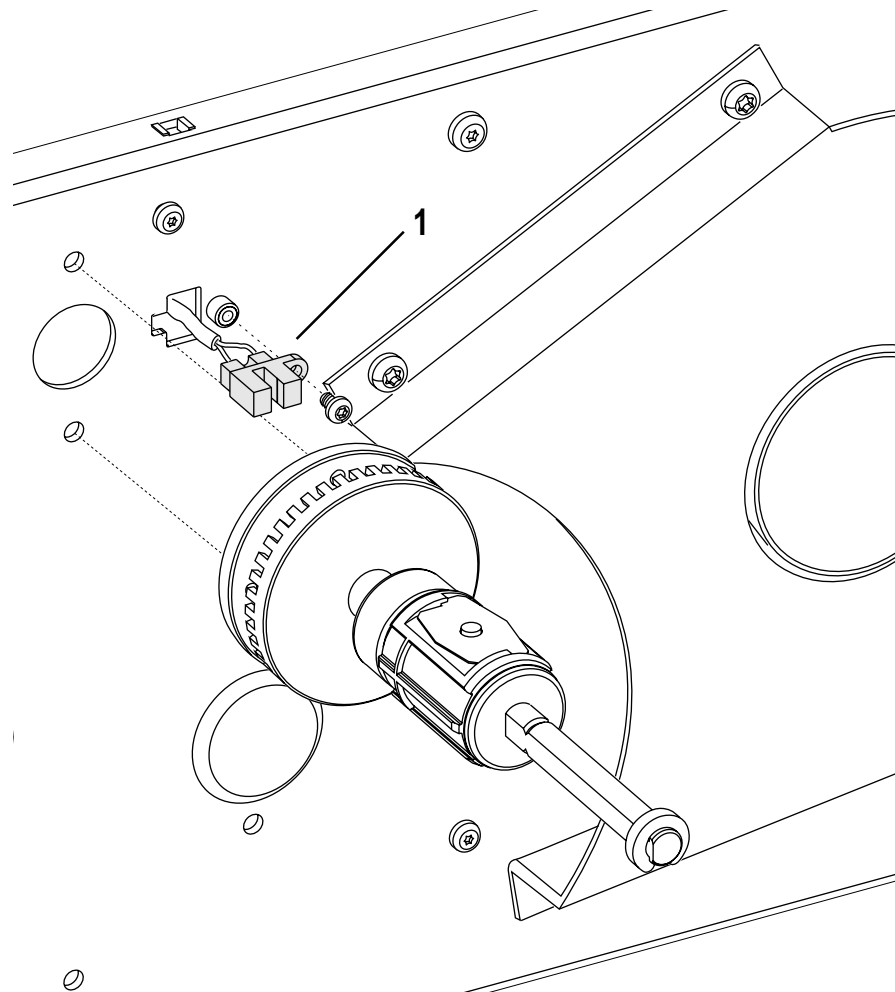
Pos.	Part No.	Description	Remarks
1	1-010558-00 1-010558-10 1-010558-20	Industrial Interface Board equipped with: RS 232C driver circuit RS 422 non isolated driver circuit RS 422 isolated driver circuit	

Label-Taken Sensor



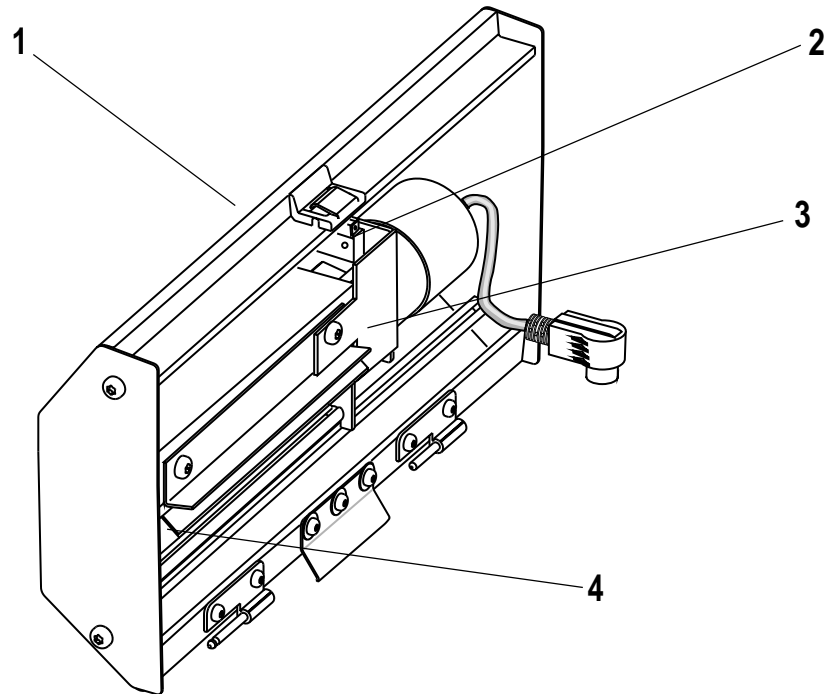
Pos.	Part No.	Description	Remarks
-	1-040559-00	Label-Taken Sensor Kit	Complete kit incl. installation instructions.

Ribbon Low Sensor



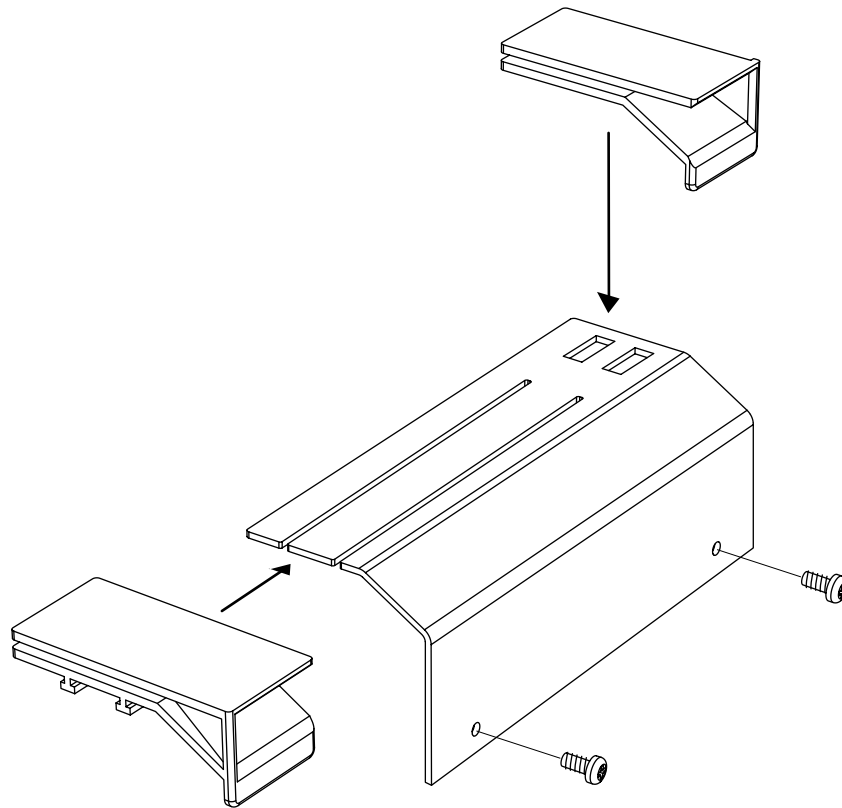
Pos.	Part No.	Description	Remarks
-	1-040562-90	Ribbon Low Sensor Kit	Complete kit with sensor. screw and installation instructions.
1	1-975605-20	Reflecting sensor assy.	

Paper Cutter Kit



Pos.	Part No.	Description	Remarks
1	1-040551-00	Paper Cutter Kit assy.	Complete kit incl. installation instructions.
2	1-983353-00	Micro Switch	
3	1-040122-01	Cutter Mechanism	
4	1-040450-00	Spring	Not visible

Fan-Fold Guides



Pos.	Part No.	Description	Remarks
-	1-040565-00	Fan Fold Guides for external paper supply	Complete unit

Miscellaneous (not illustrated)

Pos.	Part No.	Description	Remarks
–	1-982731-00	Mains Cable 2.4 m UL/CSA	U.S.A., Canada
–	1-982756-00	Mains Cable 2 m	U.K., Ireland
–	1-982735-00	Mains Cable 2.5 m EUR	European standard
–	0-493201-00	Bar Code Wand	
–	1-010001-00	Parallel Interface Cable	3 metres (9.8 ft.)
–	1-975580-05	Serial Interface Cable RS 232C DB25 → DB25	3 metres (9.8 ft.)
–	1-975581-05	Serial Interface Cable RS 232C DB25 → DB9	3 metres (9.8 ft.)
–	1-975554-09	Cable (Power Supply → CPU board)	
–	1-040950-00	Cable (Power; CPU-board → Printhead)	
–	1-975557-00	Cable (Logics; CPU-board → Printhead)	
–	1-040951-30	Cable (CPU-board → Cutter connector)	
–	1-110501-00	Cleaning Card	25-pack
–	1-993075-50	Torx Screwdriver T10/20 Combi	