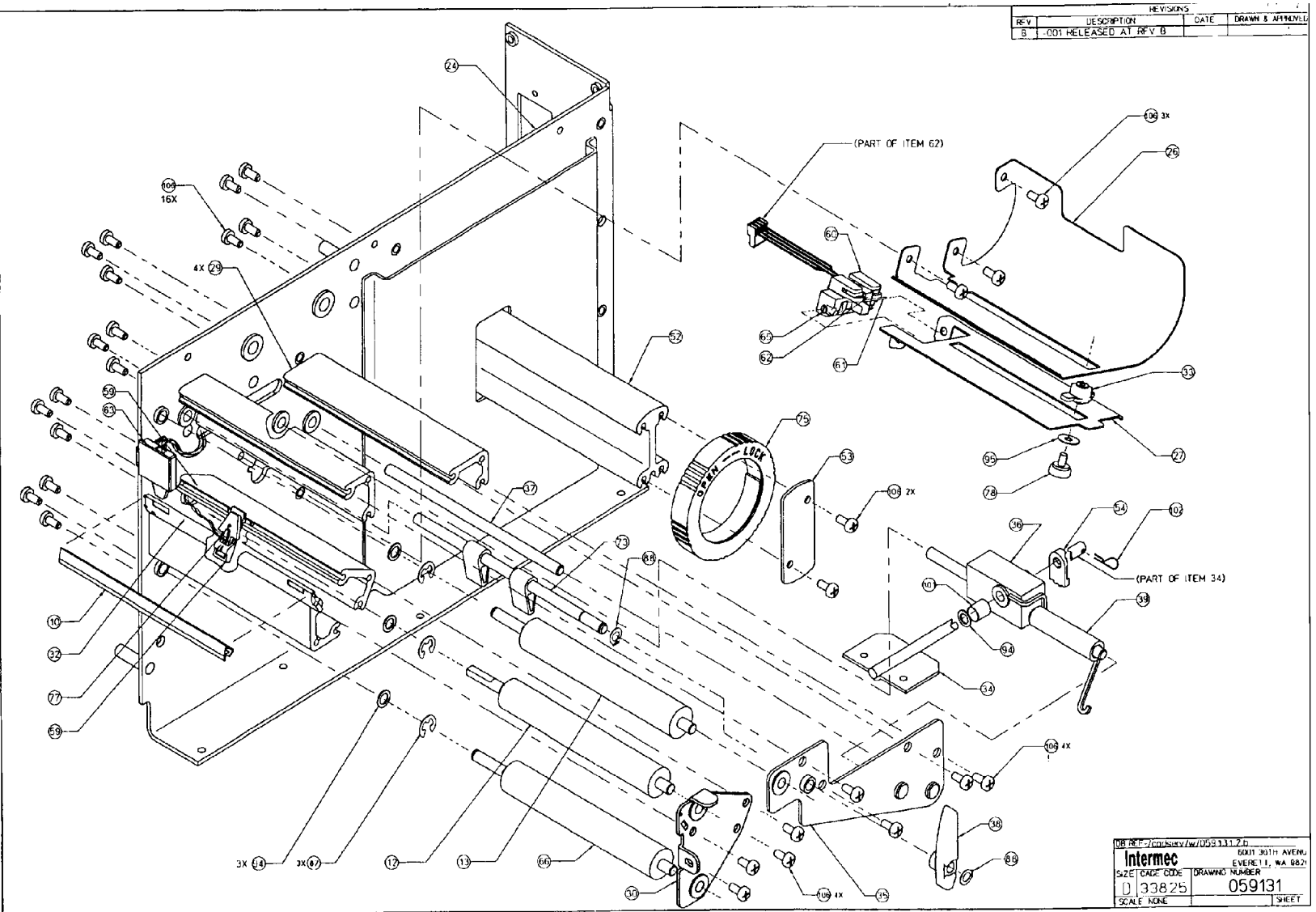


3400 Printer Assembly, Parts Breakdown

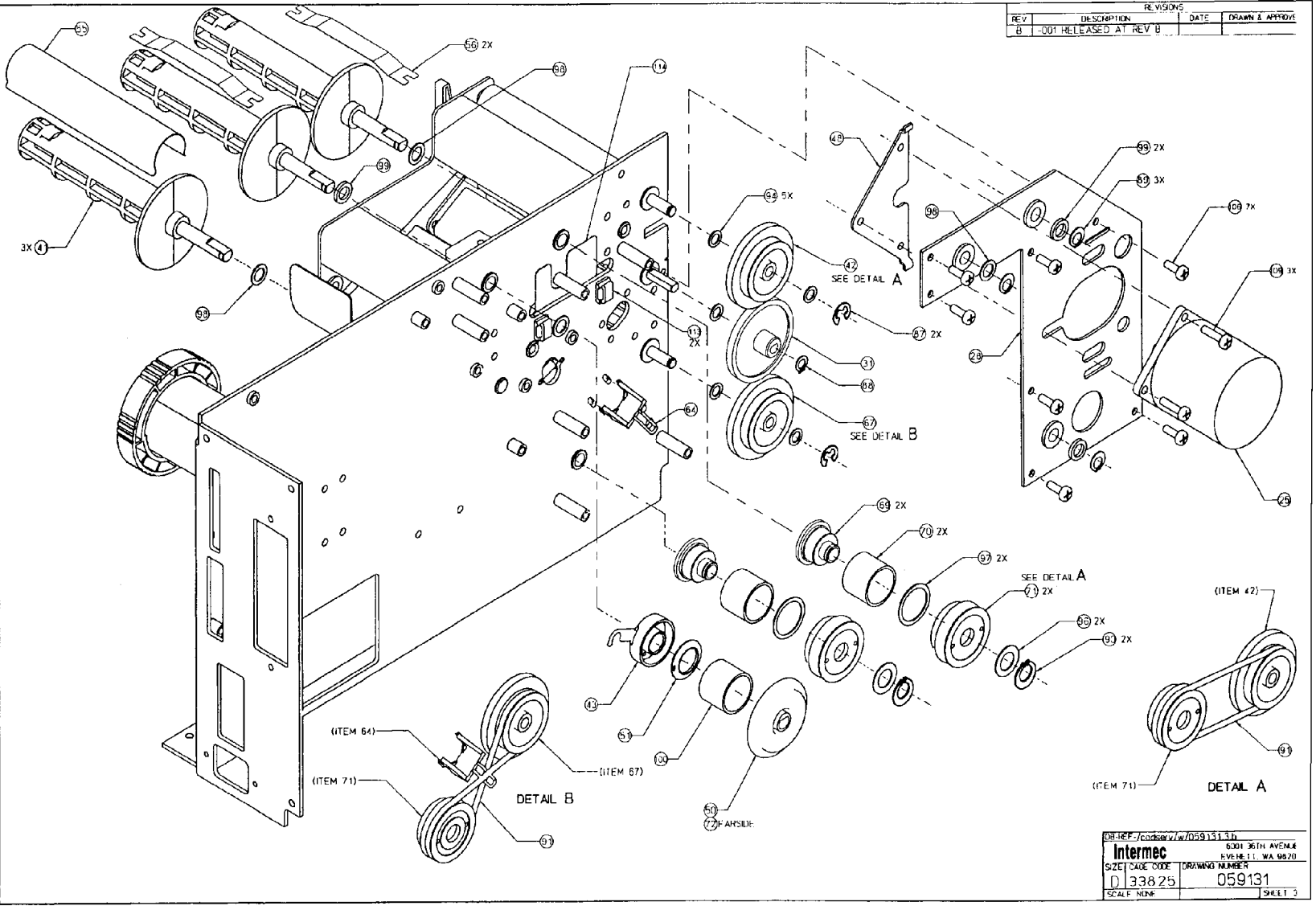


REVISIONS			
REV	DESCRIPTION	DATE	DRAWN & APPROVED
B	DOT RELEASED AT REV B		

DIB REF: 2/20/82/1w/0593332.D		6011 30TH AVENUE	
Intermec		EVERETT, WA 9821	
SIZE	CODE CODE	DRAWING NUMBER	
D	33825	059131	
SCALE	NONE	SHEET	

3400 Printer Assembly, Parts Breakdown

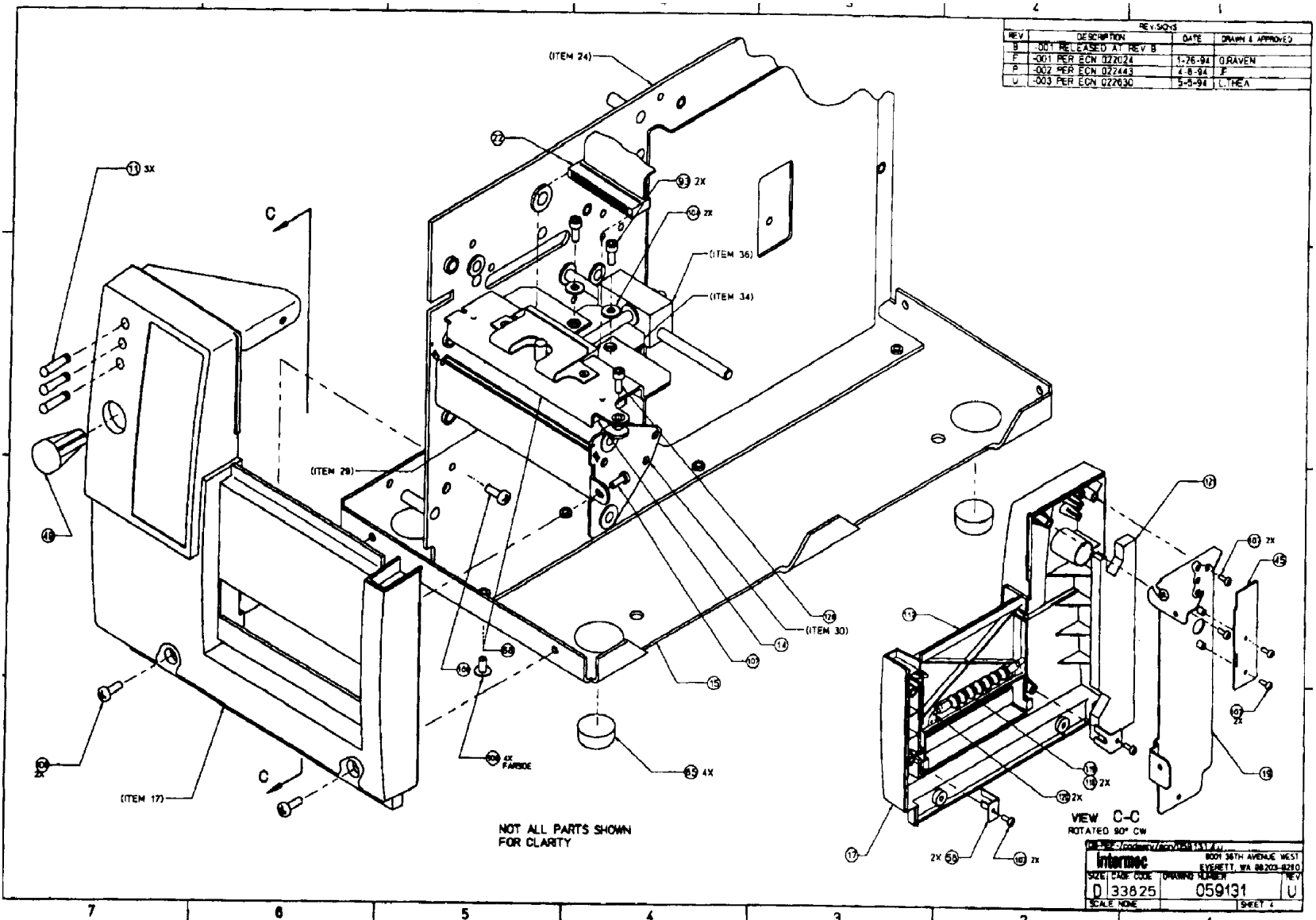
REVISIONS			
REV	DESCRIPTION	DATE	DRAWN & APPROV
B	-DOT RELEASED AT REV B		



DR: REF: / cadser/v/w/059131.116		6301 96TH AVENUE	
Intermec		EVERETT, WA 98201	
SIZE: D	CAGE CODE: 33825	DRAWING NUMBER: 059131	
SCALE: NONE			SHEET 3

3400 Printer Assembly, Parts Breakdown

REV	DESCRIPTION	REV. NO'S	DATE	DRAWN & APPROVED
B	001 RELEASED AT REV B			
F	001 PER ECN 027624		1-26-94	GRAVEN
F	002 PER ECN 027443		4-8-94	F
U	003 PER ECN 027630		5-5-94	L.THEA



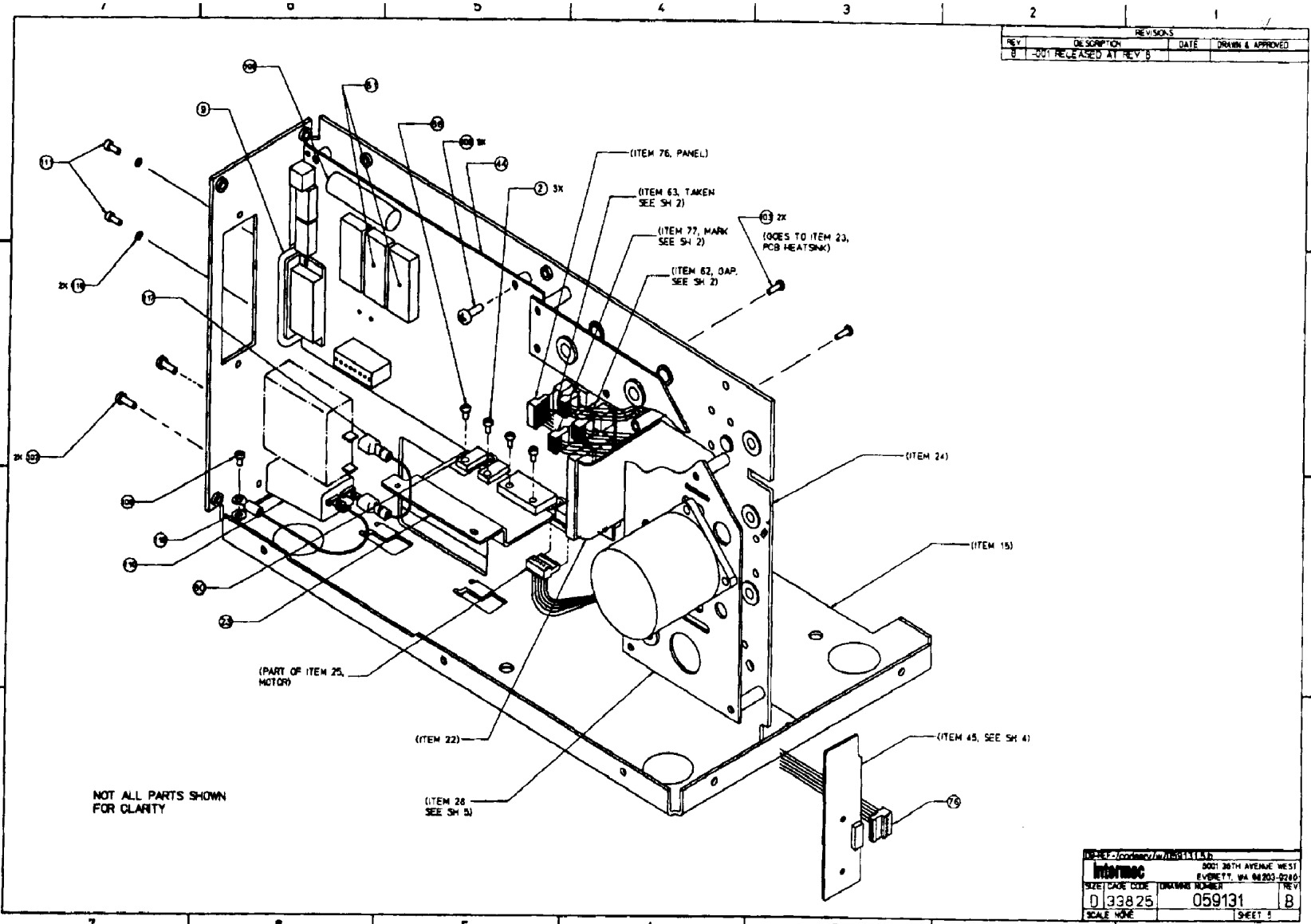
NOT ALL PARTS SHOWN FOR CLARITY

VIEW C-C
ROTATED 90° CW

Intermec		8001 36TH AVENUE WEST	
EYEWETT, WA 98203-8210			
SIZE: D	DATE: 05/13/94	DRAWING: 059131	REV: U
SCALE: NONE	SHEET: 1		

3400 Printer Assembly, Parts Breakdown

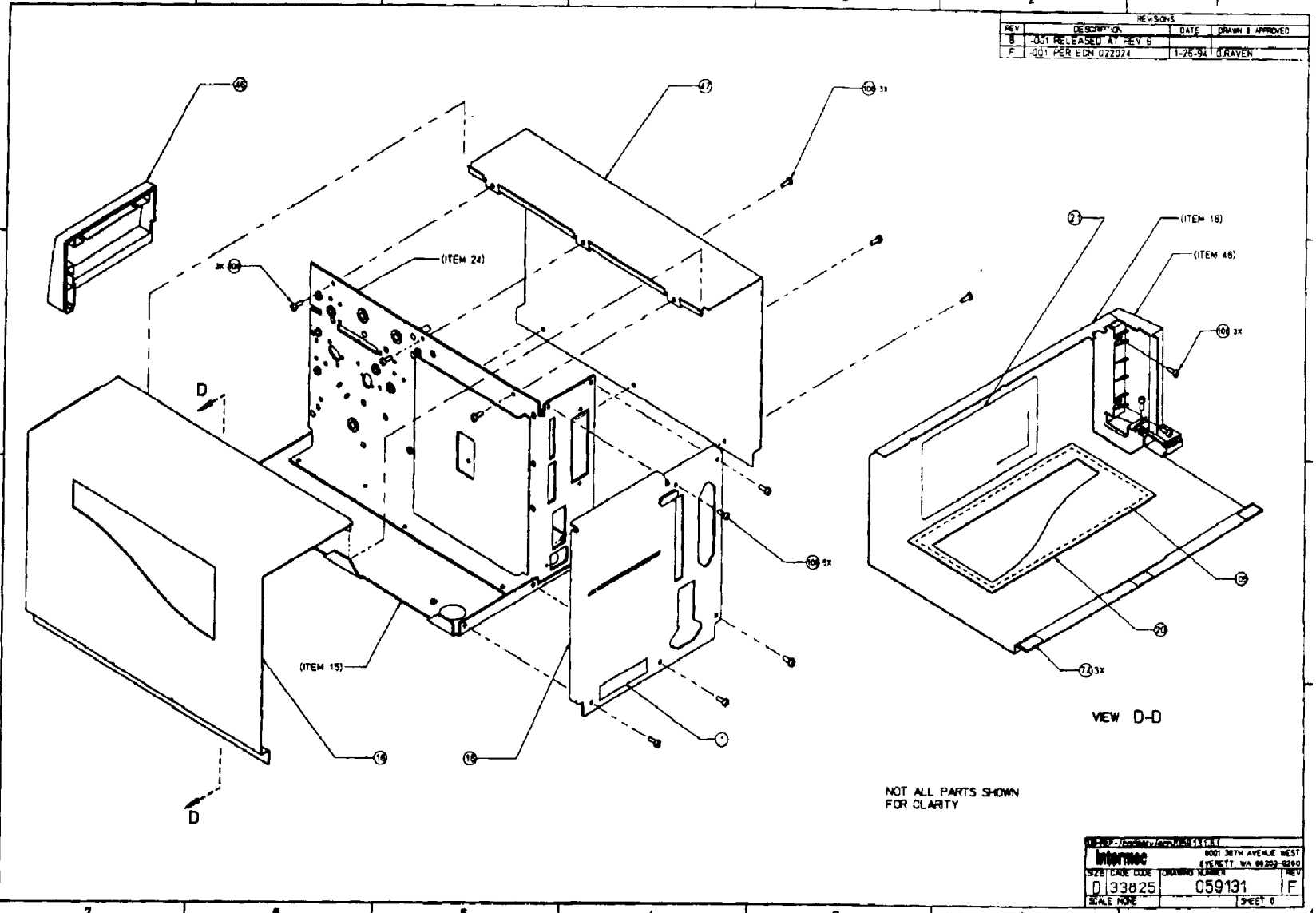
REVISIONS			
REV	DESCRIPTION	DATE	DRAWN & APPROVED
0	001 RELEASED AT REV 0		



001 30TH AVENUE WEST
 EVERETT, WA 98203-0210
Intermec
 SIZE: CASE CODE 033825 DRAWING NUMBER 059131 REV 8
 SCALE NONE SHEET 8

3400 Printer Assembly, Parts Breakdown

REVISONS			
REV	DESCRIPTION	DATE	DRAWN & APPROVED
B	001 RELEASED BY REV B		
F	001 PER EDN 022074	1-26-84	JRAVEN



Intermec			
8001 36TH AVENUE WEST		EVERETT, WA 98203-8890	
SIZE	SCALE	CHANGING	REV
D	33825	059131	F
SCALE NONE			SHEET 0

3400 Printer Assembly Item List

1	0.001	RL	E02024	LBL 0.510 x 2.50 4MIL POLY PERM
2	3		505312	SCREW, PHM, PHILLIPS 4-40 x 0.25 LK STP
3	0.10	RL	E06175	LBL 4.0 x 6.0 TTR II W/TEMP PERM
4	0.00		T42195	FIXTURE, ASSY, CHASSIS 3400
5	0.00		T42201	FIXTURE, ASSY, ROLLER ALIGNMENT, 3400
6	0.00		T42209	FIXTURE, ASSY, HUB ALIGNMENT, 3400
7	0.015	RL	E06144	LBL 4.0 x 6.0 WHITE/THERMAL LIGHTNING PERM
8	0.10	RL	051864	RIBBON TTR, SMEAR RESIST. 4.1"H x 6000"
9	1		055676	GASKET, RS232 CONNECTOR
10	1		057606	BAR, TEAR, 4400
11	3		058776-004	LIGHT PIPE, DOCK/CHARGER
12	1		058996-007	ROLLER, PLATEN
13	1		058997-004	ROLLER, DRIVE
14	1		059003-001	PRINthead, 4.09 IN, 5MIL, 3400
15	1		059008-007	PLATE, BASE
16	1		059009-007	COVER, MEDIA ACCESS
17	1		059010-006	BEZEL, FRONT COVER
18	1		059011-007	COVER, REAR
19	1		059012-007	PLATE, FRONT COVER
20	1		059013-002	LENS, MEDIA INSPECTION
21	1		059014-001	LABEL, LOADING INSTRUCTIONS
22	1		059017-001	CABLE ASSY, RIBBON, PRINthead
23	1		059019-008	HEATSINK, PCB DRIVERS
24	1		059020-014	PLATE, MAIN DECK
25	1		059021-001	CABLE ASSY, MAIN MOTOR STEPPER
26	1		059022-006	BRACKET, MEDIA PATH, UPPER
27	1		059023-005	BRACKET, MEDIA PATH, LOWER
28	1		059024-006	PLATE, MOTOR
29	4		059025-003	EXTRUSION, PRINTED SPAN
30	1		059026-006	PLATE, LOWER MODULE, OUTBOARD
31	1		059028-006	GEAR, PLATEN, D SHAFT, 96-TOOTH
32	1		059029-005	BAR, STRIP SUPPORT
33	1		059030-004	EDGEGUIDE, OUTER
34	1		059032-002	BRACKET, PRINthead PIVOT
35	1		059035-007	PLATE, UPPER MODULE, OUTBOARD
36	1		059037-004	BLOCK, PIVOT
37	1		059038-003	SHAFT, TTR RIBBON
38	1		059039-009	HANDLE, PRINthead PRESSURE
39	1		059040-005	SPRING, TORSION, PRINthead RETURN
41	3		059043-006	HUB ASSY, LINER TAKE-UP
42	1		059044-007	GEAR/PULLEY, CLUSTER, L/H LOCK
43	1		059048-008	PAD, TTR CLUTCH
44	1		059050-005	PCB ASSY, MAIN, 3400

3400 printer assembly item list (Cont.)

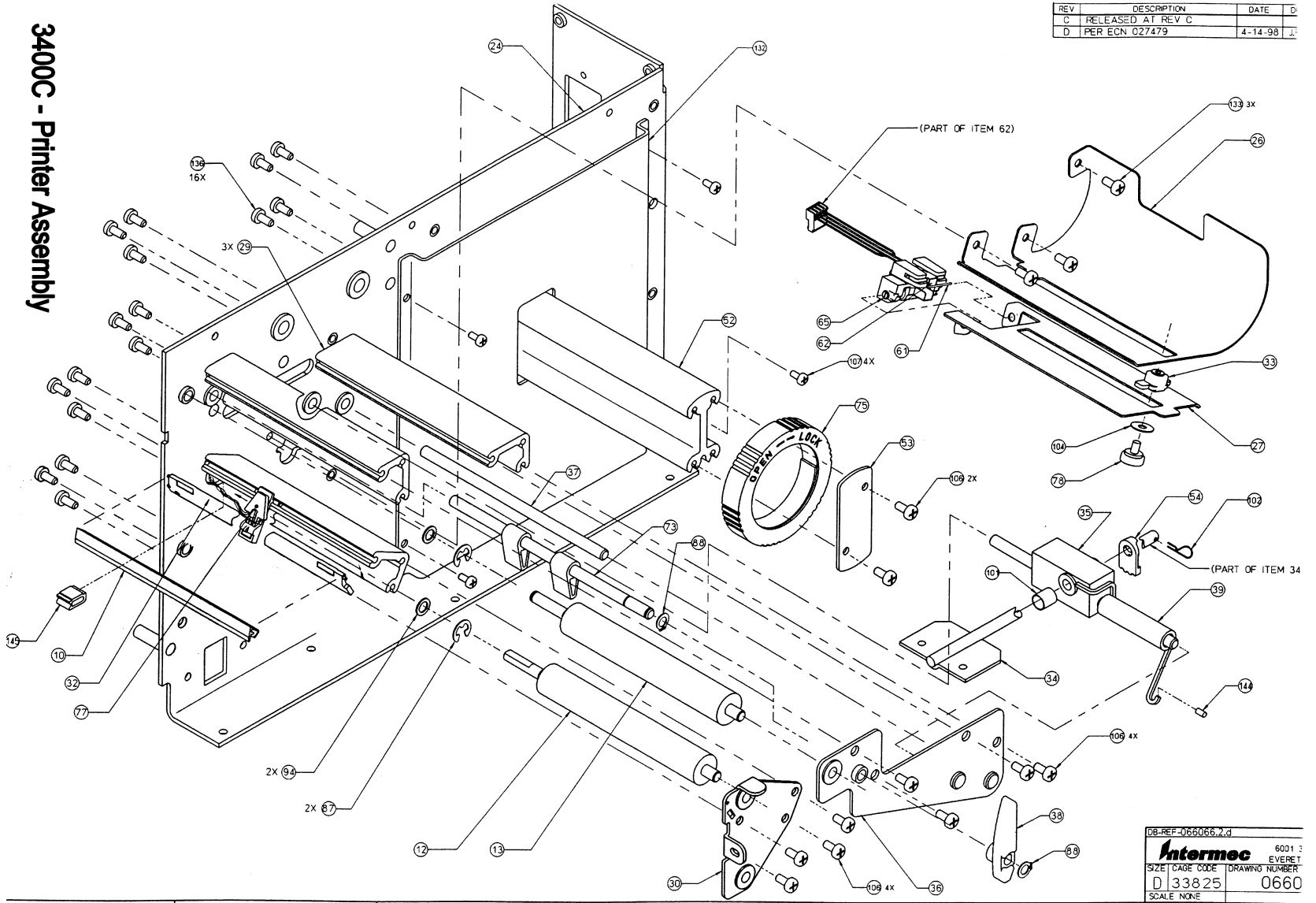
45	1	059052-001	PCB ASSY, BEZEL, 3400
46	1	059100-008	BEZEL, TOP COVER
47	1	059101-007	COVER, ELECTRONICS
48	1	059102-002	BRACKET, MO'IOR MOUNT
49	1	059103-002	BUTTON, CAP
50	1	059114-007	ENCODER, TTR CLUTCH
51	1	059115-005	WASHER, TTR CLUTCH
52	1	059117-005	POST, MEDIA
53	1	059120-002	CAP, MEDIA POST
54	1	059122-001	LEVER, PRINTHEAD ADJUSTMENT
55	1	059124-003	CLAMP, LINER HUB
56	2	059125-003	BRACKET, CORE LOCKING
58	2	059387-003	BRACKET, HINGE
59	1	059423-002	MOUNT, MARK SENSOR
60	1	059454-005	MOUNT, LABEL CAP SENSOR
61	1	059484-002	SPRING, PAPER PATH RETURN
62	1	059495-001	CABLE ASSY, LABEL GAP
63	1	059496-004	CABLE ASSY, LABEL TAKEN
64	1	059508-003	GUARD, SPRING DRIVE
65	1	059509-001	SHAFT, PAPER PATH
66	1	059510-001	ROLLER, LINER DRIVE
67	1	059511-005	GEAR/PULLEY CLUSTER, R/H LOCK
68	1	059654-003	HEATSINK ASSY, LEAFSPRING & PRINTHEAD
69	2	059687-005	COLLET, TAKE-UP CLUTCH
70	2	059688-002	SPRING, TAKE-UP CLUTCH
71	2	059689-006	PULLEY, TAKE-UP CLUTCH
72	1	059708-002	LABEL, ENCODER
73	1	059709-003	CAM ASSY
74	3	059710-001	MAGNET, DOOR LATCH
75	1	059718-002	RING, LBL SUPPLY
76	1	059727-001	CABLE ASSY, BEZEL
77	1	059729-002	CABLE ASSY, LABEL MARK
78	1	059781-001	THUMBSCREW ASSY
80	1	586142	INS. SHIM
81	1	059877-002	FIRMWARE, 3400, 5MIL P/H
84	0.00	060054-001	PROCEDURE, TEST, FINAL SYSTEM, PRINTER
85	4	501272-001	FEET, RUBBER, ADHESIVE BACKED
86	1	505500	SCREW, NY. PHM 4-40 x 0.250
87	6	501401	RETAINING RING 0.250 DIA 8610/20
88	3	501409	RING, RETAINING. 0.250 DIA. BASIC
89	3	501413	RING, RETAINING 0.312 DIA. BASIC
90	2	501461-001	RING, RETAINING, EXTERNAL, 0.395 ID

3400 printer assembly item list (Cont.)

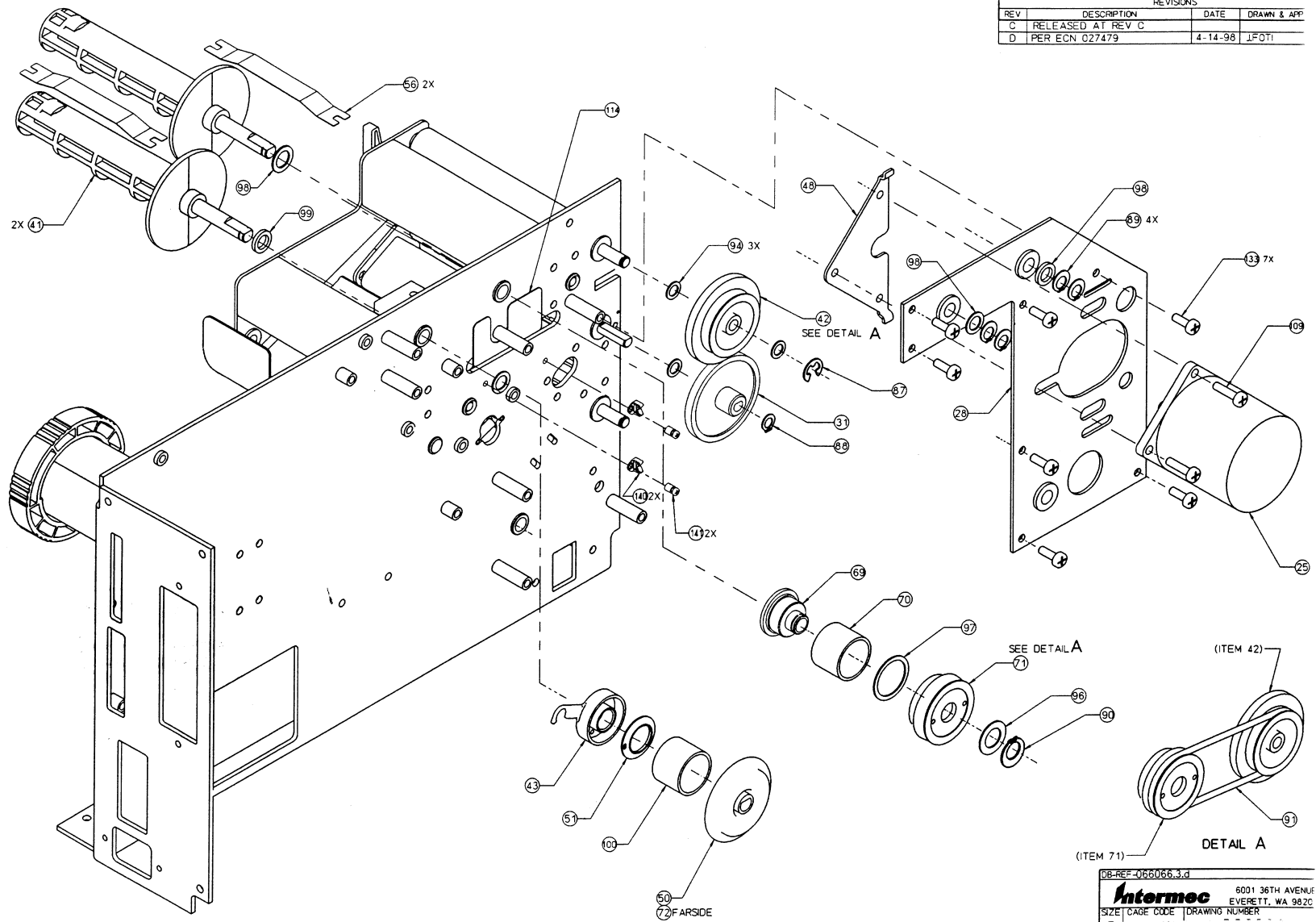
91	2	501462-002	O-RING, 2.950 ID x 0.139 THK
93	2	505613	SCREW, SOC. HD. CAP 8-32 x 0.375
94	9	506013	WASHER, SST, 0.255 ID x 0.407 OD x 0.030T
95	1	506905	WASHER, INSUL. NY, 0.194/0.500/0.062
96	1	506040-007	WASHER, FLAT, SST, 0.447 x 0.880 x 0.030
97	2	506040-004	WASHER, FLAT, SST, 0.817 x 1.00 x 0.030
98	3	506040-005	WASHER, FLAT, SST, 0.327 x 0.500 x 0.030
99	3	506040-006	WASHER, FLAT, SST, 0.327 x 0.500 x 0.080
100	1	506816-002	SPRING, CPRSN, TTR CLUTCH
101	1	060222-001	SPRING, PRINTHEAD LOCATION
102	1	507717	FASTENER, COTTER PIN, 0.25 SHAFT
103	2	521011	RIVET, POP ALUM., 0.094DIA x 0.375
104	2	521118-001	WASHER, SPRING, CONL, 0.175 x 0.500 x 0.07H
105	0.016 RL	521528-001	TAPE, TRANSFER, ADHESIVE, 0.010 THK, CLR
106	61	522690	SCREW, THD ROLL W/CONE, 8-32 x 0.38
107	9	526036	SCREW, PHP, W/INT. STAR, 6-32 x 0.375
108	1	586229	BATTERY, LITHIUM, 3.6V, 1.75AH
109	3	507639	SCREW, PHP. W/INT. STAR, 8-32 x 0.500
110	1	060246-001	FILTER ASSY, LINE AC, 3400
111	2	507659-001	SCREW, JACK, 4-40 x 0.312
112	1	060259-001	DOOR ASSY, ACCESS
113	2	501394-001	MOUNT, WIRE ROUTING, ADH BACK
114	1	060214-001	FLAP, PRINTHEAD CABLE RESTRAINING
115	1	506103	WASHER LOCK, EXT. STAR, NO. 8
116	2	506111	WASHER LOCK, SPLIT, NO. 4 M.S
117	1	041776	JUMPER ASSY, 0.25 TERMINAL LUGS, 4-IN.
118	2	060315-001	ROLLER, PINCH
119	1	060316-001	SHAFT, PINCH ROLLER
120	2	501445	RING, RETAINING, 0.125 DIA., E-RING, ZINC
121	1	060317-001	PAD, SOUND DAMPENING
123	0.00	T42440	FIXTURE ASSY., 3400 CLUTCH HOLDER
124	0.00	T42439	FIXTURE ASSY., 3400 WASHER HOLDER
125	0.00	MS059131	METHOD SHEET 3400 PRINTER
126	0.00	T42374-002	FIXTURE ASSY., PRINTHEAD ALIGNMENT
127	0.00	524033	APPLICATOR, RETAINING RING, 0.120
128	1	505767	SCREW, PHM, 8-32X 0.375

REV	DESCRIPTION	DATE	D
C	RELEASED AT REV C		
D	PER ECN 027479	4-14-98	J

3400C - Printer Assembly



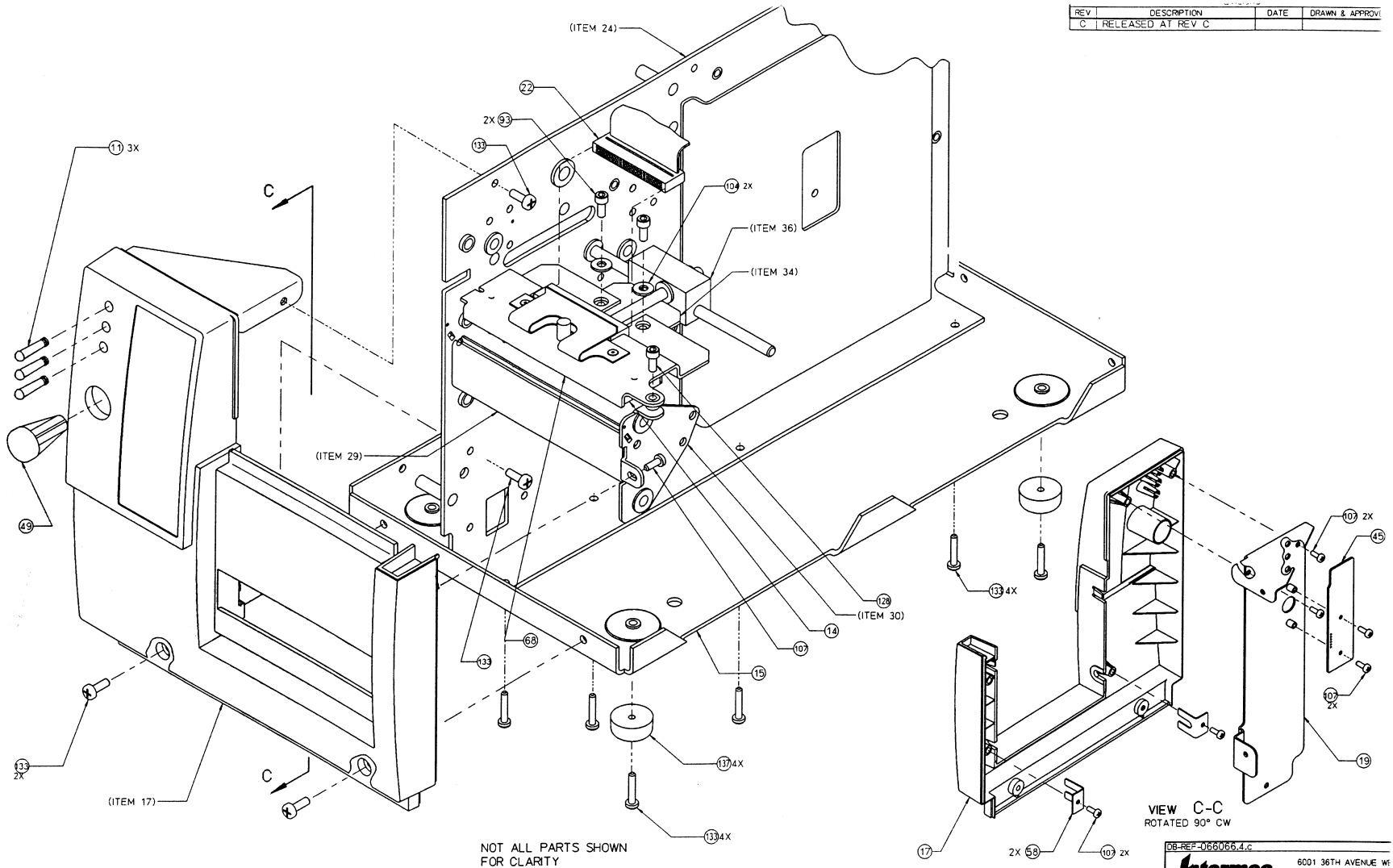
DB-REF-066066_2.d	
Intermec	6001 3 EVERETT
SIZE: CAGE CODE	DRAWING NUMBER
D 33825	0660
SCALE: NONE	

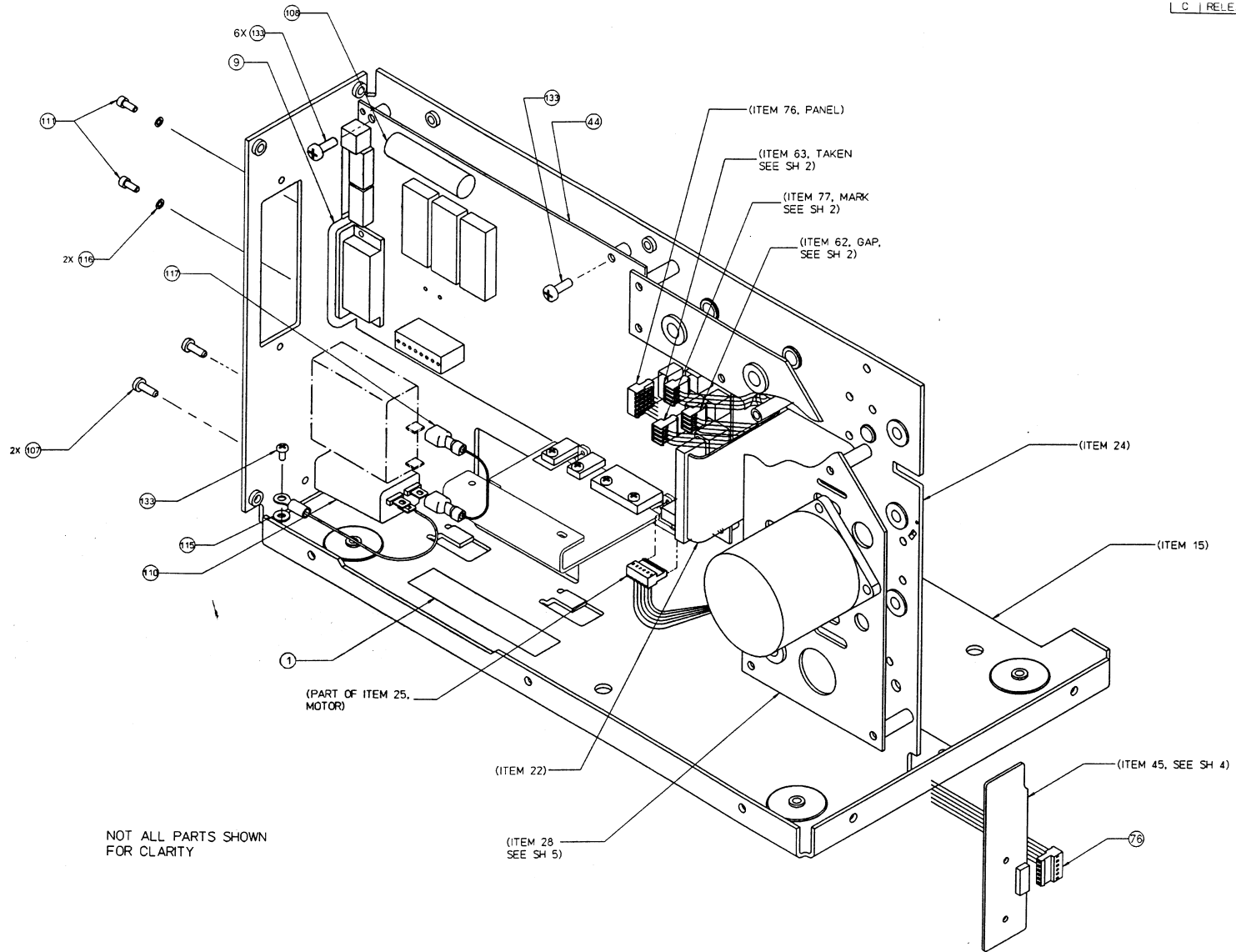


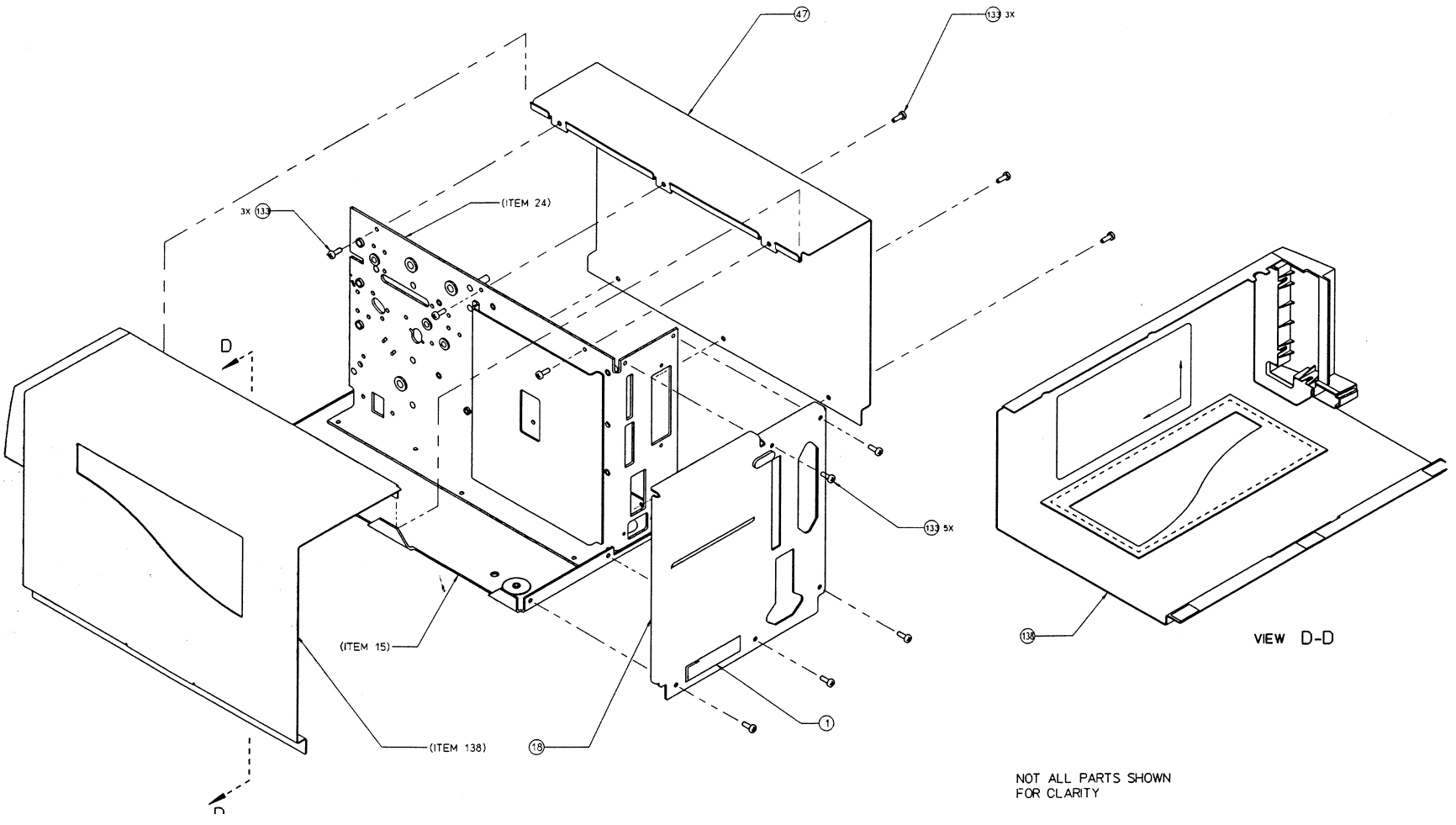
REVISIONS			
REV	DESCRIPTION	DATE	DRAWN & APP
C	RELEASED AT REV C		
D	PER ECN 027479	4-14-98	JFOT1

DB-REF-066066.3.d
Intermec 6001 36TH AVENUE
 EVERETT, WA 98201
 SIZE CAGE CODE DRAWING NUMBER

REV	DESCRIPTION	DATE	DRAWN & APPROV
C	RELEASED AT REV C		







3400C Printer Assembly Item List

9	1	060544-001	GASKET, RS232 CONNECTOR
10	1	057606	BAR, TEAR, 5.3 inch
11	3	058776-004	LIGHT PIPE, DOCK/CHARGER
12	1	058996-009	ROLLER, PLATEN
13	1	058997-005	ROLLER, DRIVE
14	1	059003-001	PRINTHEAD, 4.09 IN, 5MIL, 3400
15	1	059008-009	PLATE, BASE
17	1	059010-006	BEZEL, FRONT COVER
18	1	059011-010	COVER, REAR
19	1	059012-009	PLATE, FRONT COVER
22	1	061548-001	CABLE ASSY, RIBBON, PRINTHEAD
24	1	063837-002	PLATE, MAIN DECK
25	1	059021-002	CABLE ASSY, MAIN MOTOR STEPPER
26	1	059022-006	BRACKET, MEDIA PATH, UPPER
27	1	059023-006	BRACKET, MEDIA PATH, LOWER
28	1	059024-009	PLATE, MOTOR
29	4	059025-003	EXTRUSION, PRINTED SPAN
30	1	059026-007	PLATE, LOWER MODULE, OUTBOARD
31	1	059028-007	GEAR, PLATEN, D SHAFT, 96-TOOTH
32	1	059029-006	BAR, STRIP SUPPORT
33	1	059030-005	EDGEGUIDE, OUTER
34	1	059032-002	BRACKET, PRINTHEAD PIVOT
35	1	059037-005	BLOCK, PIVOT
36	1	062476-004	PLATE, UPPER MODULE, OUTBOARD
37	1	059038-003	SHAFT, TTR RIBBON
38	1	059039-012	HANDLE, PRINTHEAD PRESSURE
39	1	059040-006	SPRING, TORSION, PRINTHEAD RETURN
41	2	061513-003	HUB, RIBBON DRIVE
42	1	059044-007	GEAR/PULLEY, CLUSTER, L/H LOCK
43	1	059048-009	PAD, TTR CLUTCH
44	1	066070-005	PCB ASSY, MAIN, 3400C
45	1	059052-002	PCB ASSY, BEZEL, 3400
47	1	059101-009	COVER, ELECTRONICS
48	1	059102-002	BRACKET, MO'IOR MOUNT
49	1	059103-002	BUTTON, CAP
50	1	059114-007	ENCODER, TTR CLUTCH
51	1	059115-005	WASHER, TTR CLUTCH
52	1	059117-005	POST, MEDIA
53	1	059120-002	CAP, MEDIA POST
54	1	059122-001	LEVER, PRINTHEAD ADJUSTMENT
56	2	059125-005	BRACKET, CORE LOCKING
58	2	059387-003	BRACKET, HINGE
61	1	059484-003	SPRING, PAPER PATH RETURN
62	1	059495-002	CABLE ASSY, LABEL GAP

3400C printer assembly item list (Cont.)

65	1	059509-002	SHAFT, PAPER PATH
68	1	059654-003	HEATSINK ASSY, LEAFSPRING & PRINTHEAD
69	2	059687-005	COLLET, TAKE-UP CLUTCH
70	2	059688-004	SPRING, TAKE-UP CLUTCH
71	2	059689-006	PULLEY, TAKE-UP CLUTCH
72	1	059708-003	LABEL, ENCODER
73	1	062614-001	CAM ASSY, PRESSURE
75	1	059718-002	RING, LBL SUPPLY
76	1	059727-001	CABLE ASSY, BEZEL
77	1	059729-003	CABLE ASSY, LABEL MARK
78	1	059781-001	THUMBSCREW ASSY
87	3	501401	RETAINING RING 0.250 DIA 8610/20
88	3	501409	RING, RETAINING. 0.250 DIA. BASIC
89	4	501410	RING, RETAINING 0.310 DIA. GRIPPING
90	1	501461-001	RING, RETAINING, EXTERNAL, 0.395 ID
91	1	501462-002	O-RING, 2.950 ID x 0.139 THK
93	2	505613	SCREW, SOC. HD. CAP 8-32 x 0.375
94	5	506013	WASHER, SST, 0.255 ID x 0.407 OD x 0.030T
96	1	506040-007	WASHER, FLAT, SST, 0.447 x 0.880 x 0.030
97	1	506040-004	WASHER, FLAT, SST, 0.817 x 1.00 x 0.030
98	3	506040-005	WASHER, FLAT, SST, 0.327 x 0.500 x 0.030
99	1	506040-006	WASHER, FLAT, SST, 0.327 x 0.500 x 0.080
100	1	506816-002	SPRING, CPRSN, TTR CLUTCH
101	1	506827-001	SPRING, PRINTHEAD LOCATION
102	1	507717	FASTENER, COTTER PIN, 0.25 SHAFT
104	3	521118-001	WASHER, SPRING, CONL, 0.175 x 0.500 x 0.07H
106	10	522690	SCREW, THD ROLL W/CONE, 8-32 x 0.38
107	11	526036	SCREW, PHP, W/INT. STAR, 6-32 x 0.375
108	1	586229	BATTERY, LITHIUM, 3.6V, 1.75AH
109	3	507639	SCREW, PHP. W/INT. STAR, 8-32 x 0.500
110	1	060246-002	FILTER ASSY, LINE AC, 3400
111	2	507659-001	SCREW, JACK, 4-40 x 0.312
114	1	060214-002	FLAP, PRINTHEAD CABLE RESTRAINING
115	1	506103	WASHER LOCK, EXT. STAR, NO. 8
116	2	506111	WASHER LOCK, SPLIT, NO. 4 M.S
117	1	041776	JUMPER ASSY, 0.25 TERMINAL LUGS, 4-IN.
127	0.00	524033	APPLICATOR, RETAINING RING, 0.120
128	1	505767	SCREW, PHM, 8-32X 0.375
132	1	064030-001	PLATE, MEDIA
133	41	505321	SCREW, W/CONE WASH., 8-32 X 0.375L
135	1	066368-002	BRACKET, HEATSINK, MAIN PCB
136	16	525034-001	SCREW, THD ROLL W/CONE, 8-32 X 0.50
137	4	523308	BUMPER, RUBBER W/WASH
138	1	066823-001	COV, MEDIA ASSY, 34XX
145	1	501394-001	MOUNT, WIRE ROUTING, ADH BACK